

LogiLink®

Holder for Smartphone and Tablet

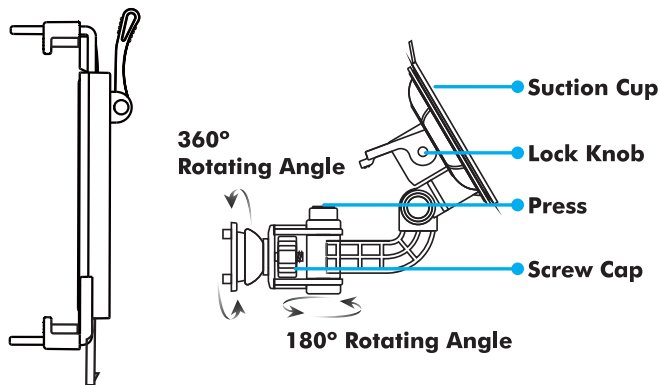
Art. No.: AA0030



This multi-functional holder for smart devices can easily mount to your car's windshield or dashboard. Allowing you to drive safely without holding on to your phone.

Features:

- » Light weight, simple operation and conveniently portable
- » Perfect adhesion, hot-resistance, abrasion performance
- » The specially designed pivot makes no sound and is absolutely silent
- » It can be placed vertically or horizontally, and adjusted with a variety of different angles



Package Contents:

- » 1 x Smartphone & Tablet Car Holder
- » 1 x User Manual

Package Informations:

- » Packing Dimension: 247 x 233 x 96mm
- » Packing Weight: 0.33kg
- » Carton Dimension: 490 x 380 x 490mm
- » Carton Q'ty: 20pcs
- » Carton Weight: 7.5kg



AA0030



Made in China



RoHS
compliant



* The specifications and pictures are subject to change without notice.
* All trade names referenced are the registered trademark of their respective owners.

Best Connectivity