

LogiLink®

USB 3.0 OTG Cable

Art. No.: AA0048

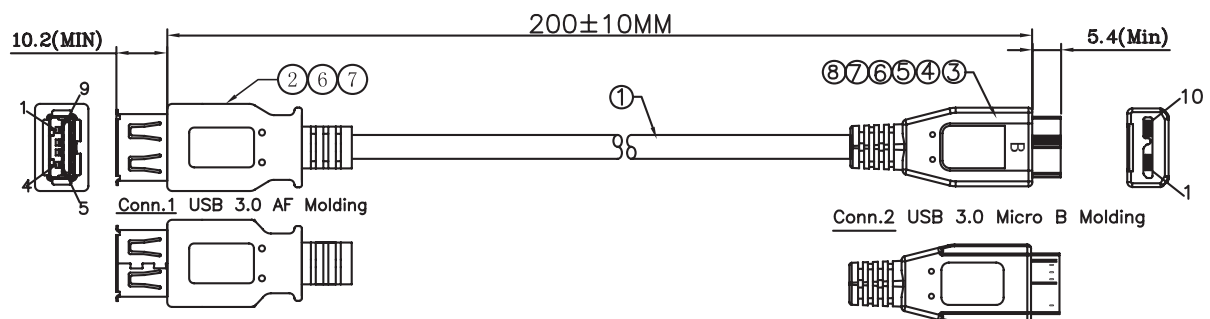


This adapter cable is used to connect the micro USB 3.0 port of your Samsung Galaxy Note 3/S5 to a compatible USB3.0 device like USB 3.0 memory stick, a USB3.0/2.0 memory card reader, or keyboard.

Features:

USB 3.0 Micro-B plug to USB 3.0 A type receptacle

- » Allows you to connect a USB3.0 memory stick, USB3.0/2.0 memory card reader, or keyboard to your Samsung Galaxy Note 3 or S5
- » Allows for convenient PC-free back up of videos and photos from Samsung Galaxy Note 3 or S5 to an external memory stick
- » Connects to a keyboard for easier input with your Samsung Galaxy Note 3 or S5
- » Ease of carrying



Specification:

Connector	USB 3.0 Micro-B plug to USB 3.0 A type receptacle
Cable Length	20 cm
Color	Black
Compatibility	Samsung Galaxy Note3/S5

Package Contents:

- » 1x USB 3.0 OTG Cable

Package Informations:

- » Packing Dimension: 200 x 80 mm
- » Packing Weight: 0.02 kg
- » Carton Dimension: 500 x 320 x 210 mm
- » Carton Q'ty: 350 pcs
- » Carton Weight: 7.8 kg



AA0048



4 052792 029178

Made in China



RoHS
compliant



* The specifications and pictures are subject to change without notice.

*All trade names referenced are the registered namework of their respective owners.