



Castor Set

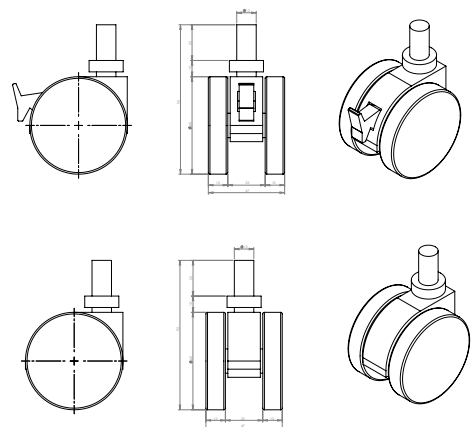
Technical Features

Material: Steel and plastic ABS
Packaging: 4 pcs , 2 pcs with stopper
Finish: Zinc plated

Set of two locking and two non-locking castors with rubber rolling base. Support made of stamped steel with double-ball bearings.

Castor Set

Max. Static Load	Part No.	EAN Code
250 kg	AC107	8698800002021
600 kg (heavy duty)	AC108	8698800001904



* The specifications and pictures are subject to change without notice.
 *All trade names referenced are the registered network of their respective owners.