

# LogiLink®

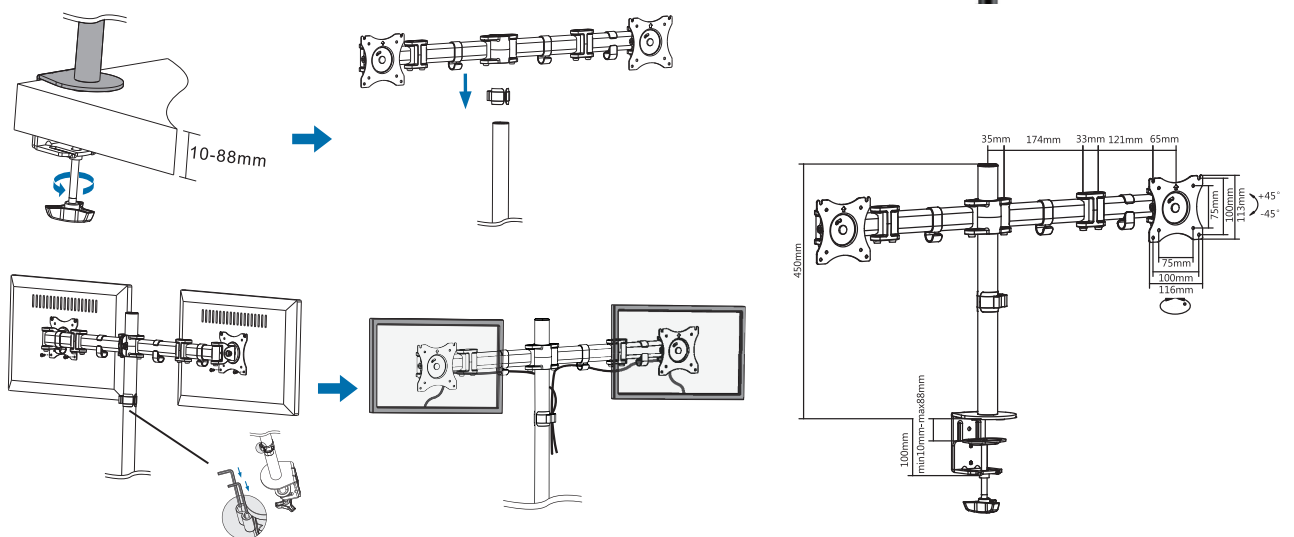
## Dual Monitor Mount Stand with Adjustable Arm for 13"-27" Monitor

Art. No.: BP0022

Easy installation and compatible with VESA standard max. 100x100mm

### Features:

- » Super strong mounting brackets: Solid-reinforced Cold Steel, durable product with maximum capacity of 8kg for each arm
- » Maximum arm extension length is 428mm, Tilt capacity: 45°~-45°, Swivel capacity: 90°~-90° and Rotation capacity: 360°
- » Compatible with VESA 75x75mm, 100x100mm
- » Clamp and grommet mount included
- » Easy to install
- » Fit for 13-27 inch LCD Monitor



BP0022



4 052792 042696

Made in China



RoHS  
compliant

\* The specifications and pictures are subject to change without notice.  
\* All trade names referenced are the registered namework of their respective owners.

Best Connectivity

# LogiLink®

## Dual Monitor Mount Stand with Adjustable Arm for 13"-27" Monitor

Art. No.: BP0022



### Specification:

Screen Size	13"-27"
Rated Load	8kg/17.6lbs
VESA	75x75, 100x100
Installation	Clamp, Desk mount
Tilt	45°~ -45°
Swivel	180°
Rotate	360°
Arm Extend	428mm
Clamp Thickness	10mm-88mm
Height	450mm
Product Size	726 x 550 x 116mm

Fits  
13"-27"  
Monitor

VESA  
Max.  
100x100mm

Arm  
Extend  
428mm

Each  
Arm  
rated  
8kg/17.6lbs

360°  
ROTATION

45°  
-45°  
TILT

180°  
SWIVEL

↑  
Direction  
Indicator

### Package Contents:

- » 1 x Monitor Mount Stand
- » 1 x Screw Package
- » 1 x User Manual

### Package Informations:

- » Packing Dimension: 478 x 150 x 125mm
- » Packing Weight: 4.81kg
- » Carton Dimension: 495 x 315 x 280mm
- » Carton Q'ty: 4pcs
- » Carton Weight: 22.4kg



This product is designed to be installed on wood stud walls, solid concrete walls or brick walls. Make sure that the supporting surface will safely support the combined weight of the equipment and all attached hardware and components. This product is intended for indoor use only. Using this product outdoors could lead to product failure and personal injury.



BP0022



4 052792 042696

Made in China



RoHS  
compliant

\* The specifications and pictures are subject to change without notice.  
\*All trade names referenced are the registered trademark of their respective owners.