

LogiLink®

Compact Mobile Stand Up Computer Workstation

Art. No.: BP0070



Designed to mount the computer to save more space in the working area.

Features:

- » Tilttable desktop: Allows multiple angle requirements
- » Allow easy transition from sitting to standing with manual height lifting
- » E1 Grade particle board panel: features Heavy duty and moisture resistant
- » Locking rotary knob ensures a secure position at any height setting
- » Ledge on the bottom to hold paper in place from sliding off
- » Ideal for Use as A Stand Up Desk or A Speaker's Podium



Height adjustable table top and keyboard tray and two utility shelves offer the basics



Effortlessly to healthy sit-stand heights so you can work with more comfort



Sturdy casters



* The specifications and pictures are subject to change without notice.
*All trade names referenced are the registered namework of their respective owners.



Made in China

Best Connectivity

LogiLink®

Compact Mobile Stand Up Computer Workstation

Art. No.: BP0070



Specification:

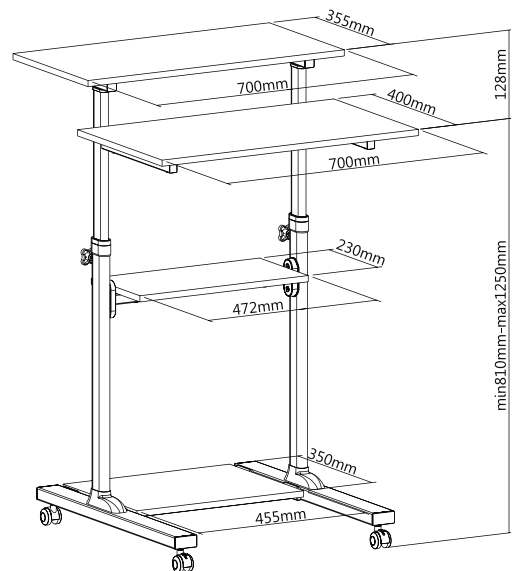
Material	Plastic, Particle Board & Melamine, Steel
Dimensions	1378 x 705 x 700mm
Tabletop Thickness	15mm
Height Range	440mm
Worksurface Weight Capacity	60kg
Installation	Tabletop Stand

Package Contents:

- » 1 x Standing Computer workstation
- » 1 x Screw Pack
- » 1 x User Manual

Package Information:

- » Packing Dimension: 940 x 770 x 105mm
- » Packing Weight: 20.7kg
- » Carton Dimension: 940 x 770 x 105mm
- » Carton Q'ty: 1pcs
- » Carton Weight: 20.7kg



* The specifications and pictures are subject to change without notice.
* All trade names referenced are the registered trademark of their respective owners.



BP0070



4 052792 050684

Made in China

Best Connectivity