



Faceplate for Cable Entry, 80 x 80mm

Part no.: CA1071W

Technical Features

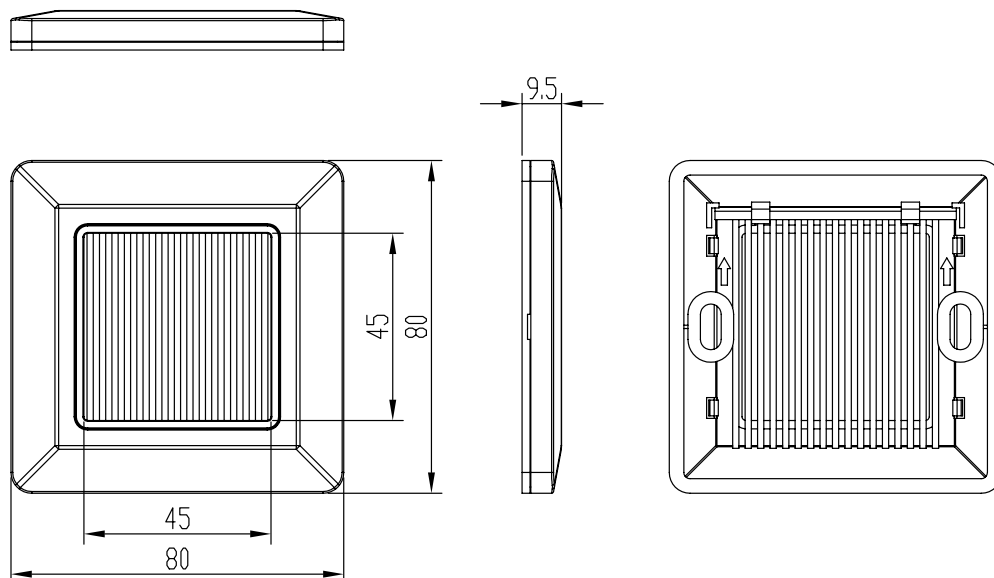
Wall outlet for cable entry

Outer dimension: 80 x 80 x 10mm

With brush: 45 x 45mm

Color: RAL9010 white

Technical Drawings



CA1071W



4 052792 043723

Made in China

www.logilink.com



RoHS
compliant

* The specifications and pictures are subject to change without notice.
*All trade names referenced are the registered trademark of their respective owners.

Package Contents

1 x Faceplate for Cable Entry, 80 x 80mm

Packaging Informations

Packing Dimension	110 x 110 x 12mm
Packing Weight	0.03kg
Carton Dimension	360 x 320 x 560mm
Carton Q'ty	500pcs
Carton Weight	16kg



CA1071W



4 052792 043723

Made in China

www.logilink.com



RoHS
compliant

* The specifications and pictures are subject to change without notice.
*All trade names referenced are the registered namework of their respective owners.