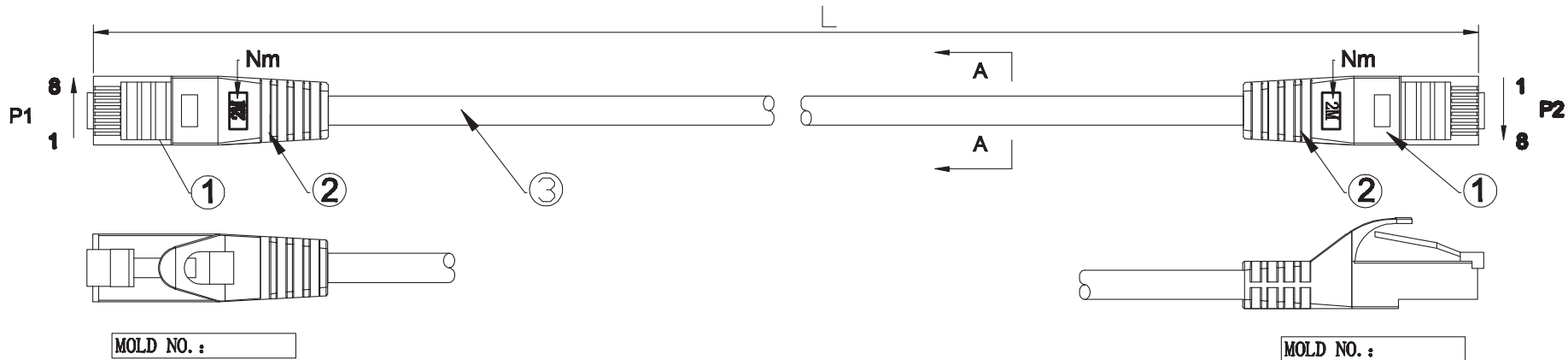
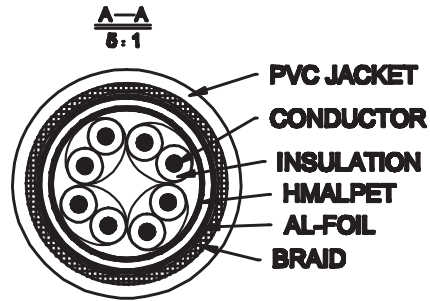
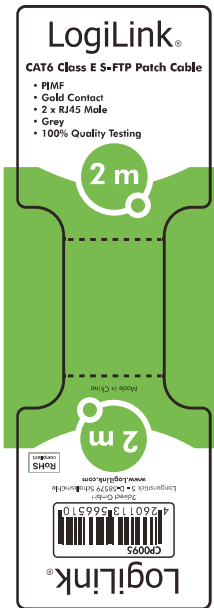


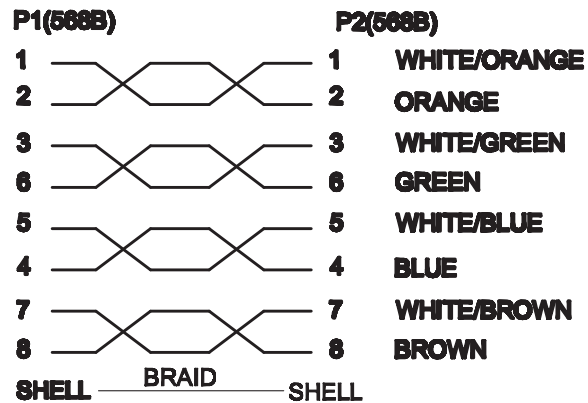
FILE AMEND NOTE	DATE	REV.
ORIGINAL EDITION	2012/06/07	A/0



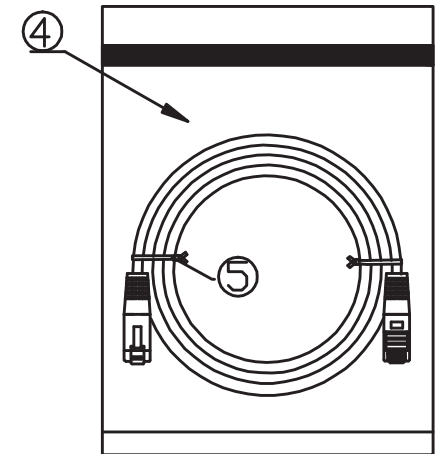
STICKER



PIN OUT



PACKING DRAW:



NOTE:

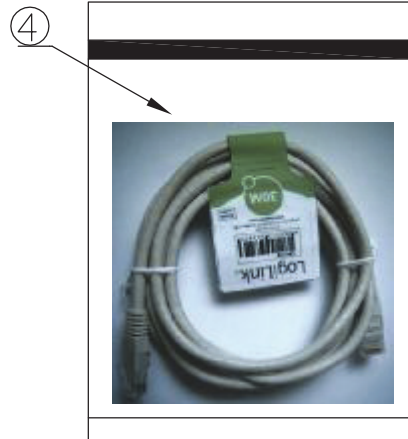
Electrical test;
 100% open short & miss wire test;

ITEM NO.	EAN CODE:	L
CP0083	4260113561720	0.5M
CP0106	4260113561323	15M
CP0108	4260113563403	30M
CP0109	4260113563410	50M
CP0230	4260113567050	0.25M

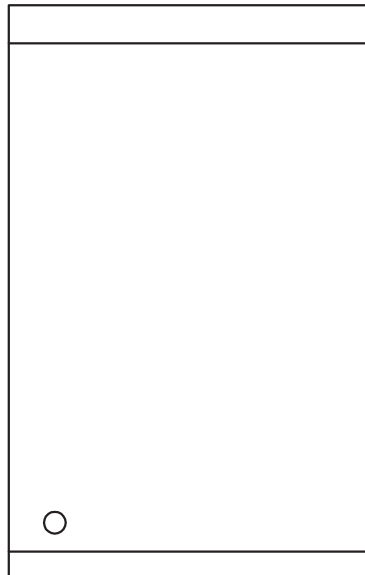
DRAW No.	NAME	CAT.5e SF-UTP Patch Cable		
CUSTOMER	2direct GmbH	MAPE	TOLERANCE	
CUSTOMER No.			X ±1.00 XX ±0.50	
APPROVE BY	CHECK BY	DRAW BY	SCALE	MM
			PAGE	1/1

FILE AMEND NOTE	DATE	REV.
ORIGINAL EDITION	2012/06/07	A/0

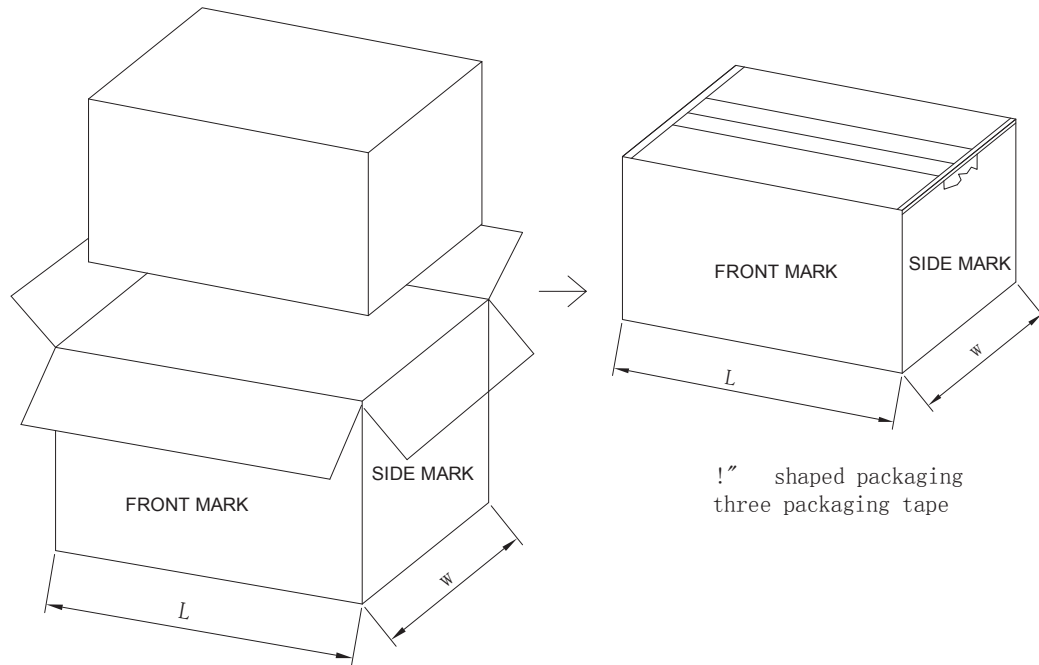
PACKING DRAW#



1PCS/BAG



L \$ 5M
10PCS/ BIG BAG
L % 5M
5PCS/ BIG BAG



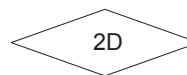
NOTE:

Electrical test#
100% open short & miss wire test;

MATERIAL LIST#

⑥	PRINTING	SFTP CAT.5E 26AWG ! 4P CABLE ISO/IEC 11801 & TIA/EIA 568B STANDARD		
⑤	MINI TIE		1	
④	POLY BAG	PE, COLOR: TRANSPARENT	1	
③	CABLE	FTP CAT.5E CABLE, 26AWG CCA*4PAIR+HMALPET+AL-FOIL+(16*3)BRAID+PVC, OD: 6.0" 0.1mm, COLOR: GREY	L	
②	MOLD HOOD	PVC, COLOR: GREY	2	
①	CONNECTOR	CAT.5E RJ45 PLUG, SHIELD, 3U' GOLD PLATED PIN, COLOR: TRANSPARENT	2	
No.	PART NAME	DESCRIPTION	QTY	REMARK

OUTER CARTON FRONT MARK:



GERMANY
C/NO.: 01,02...
MADE IN CHINA

OUTER CARTON SIDE MARK:

PO NO.:
ITEM NO.:
Q TY: PCS
N.W: KGS
G.W: KGS
Dimension:
EAN CODE:

DRAW No.	NAME	CAT.5e SF-UTP Patch Cable		
CUSTOMER	2direct GmbH	MAPE	TOLERANCE	
CUSTOMER No.			X. 1.00	X.X 0.50
APPROVE BY	CHECK BY	DRAW BY	SCALE	MM
			PAGE	1/1