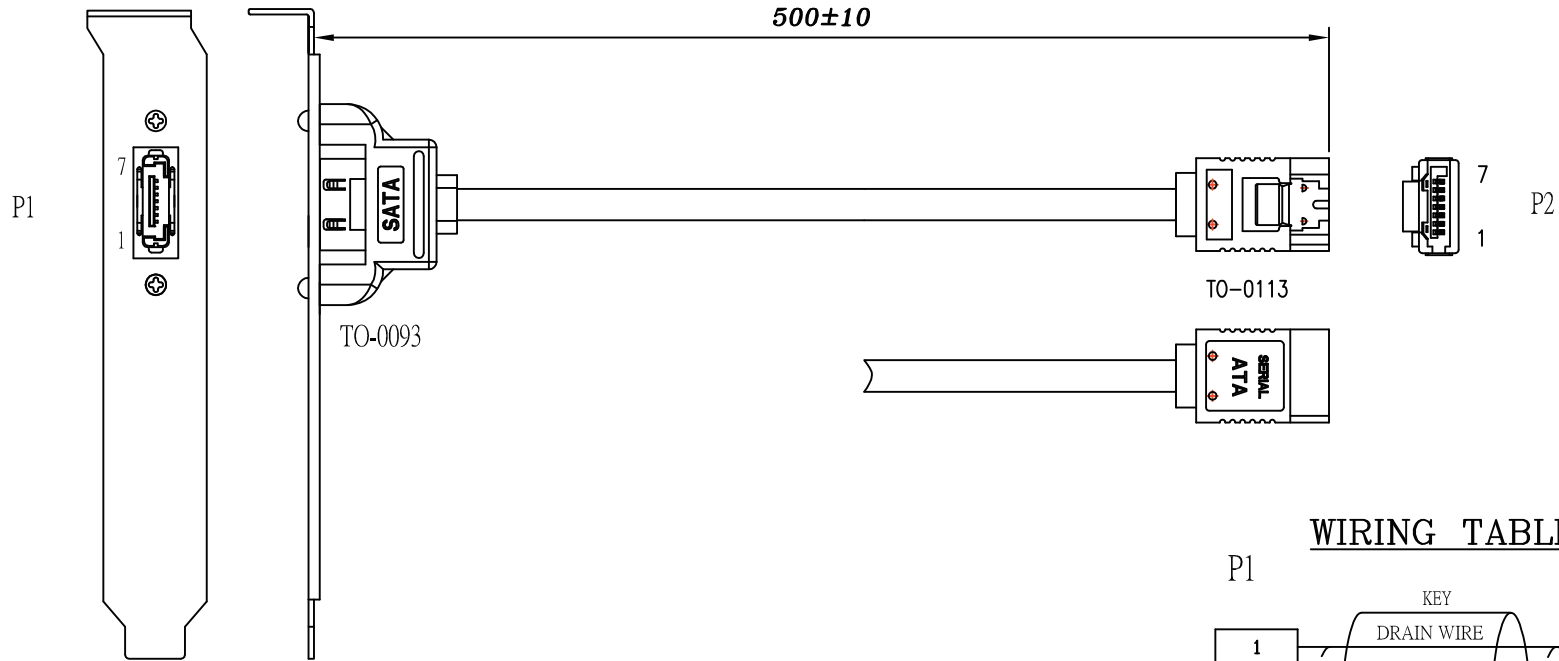


ROHS-COMPLIANT

LTR	REV.	DESCRIPTION	DATE
▲*2	B	ECN # 101230-36 EDIT LABEL,POLYBAG	01/03/11'



NOTE:

1. CABLE:

UL2725 80°C 30V [26AWG(1/0.404)*2F
+AL/MY+DRAIN WIRE(1/0.32)*2]TIN
INS: FOAM-PE OD: $\phi 1.1 \pm 0.05$ mm
PVC JACKET OD: $\phi(2.2 \pm 0.1) * (7.8 \pm 0.2)$ mm COLOR: RED (PANTONE 200C)
IMPEDANCE: 100±5 OHM

2. CONNECTOR:

P1: SATA II 7P RIVETING TYPE PBT BLACK G/F W/METAL SHELL
P2: SATA 7P CRIMP TYPE GOLD FLASH CONTACT,
W/METAL LATCH

3. HOOD: MOLDED TYPE, PVC 45P, COLOR: BLACK(NK-K01)

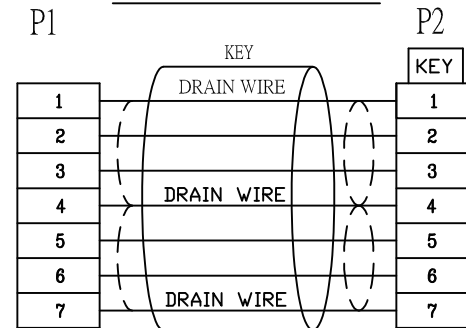
4. CABLE ASS'Y ELECTRICAL TEST:

4-1 100% OPEN SHORT & MIS WIRE TEST
4-2 CONTACT RESISTANCE 3 OHM MAX
4-3 INSULATION RESISTANCE 10M OHM MIN

5. PACKING: SEE P-0210 PACKING DRAWING

<1>EACH PC / POLYBAG + EAN CODE LABEL
<2>EACH CARTON / ROHS LABEL(L*W=35*22mm)

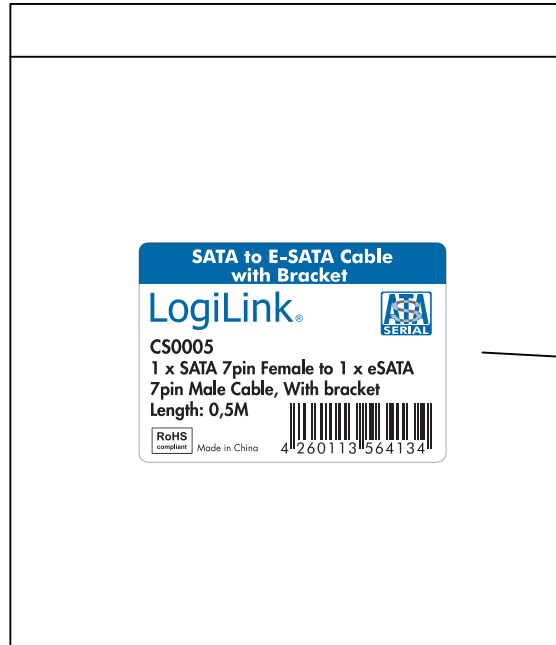
WIRING TABLE



Tolerance Inch M/M			2Direct GmbH			
.X	.015	.30	Title			
.XX	.010	.10	SATA II 7P W/BRACKET - SATA I 7P METAL LATCH CABLE			
.XXX	.005	.05	Customer P/N: CS0005			
Draw FANNIE 01/03/11'			App'd		Customer:	
Check			Scale	NONE	Units	m/m
Engr			Third Angle Projection			
			Dwg No. 140-1465		REV: B	Sheet 1/2

LTR	REV.	DESCRIPTION	DATE
△*2	B	ECN # 101230-36 EDIT LABEL,POLYBAG	01/03/11'

POLYBAG



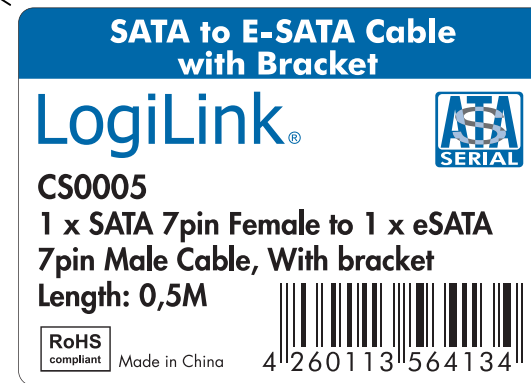
LABEL POSITION IN THE MIDDLE

R2x4PCS

BAR CODE LABEL



70mm



Pantone 2945C, Black
Size: 70 x 50 mm R= 2mm

Tolerance Inch M/M			2Direct GmbH					
.X	.015	.30						
.XX	.010	.10						
.XXX	.005	.05	Title					
Draw			SATA II 7P W/BRACKET - SATA I 7P METAL LATCH CABLE					
FANNIE 01/03/11'			Customer P/N: CS0005					
Check			App'd		Customer:			
Engr			Scale	NONE	Units	m/m	Third Angle Projection	
			Dwg No. 140-1465		REV:B	Sheet 2/2		