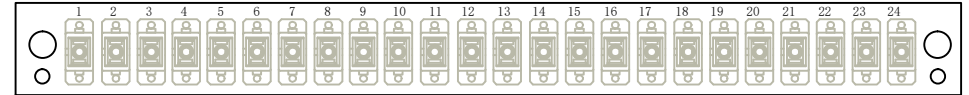
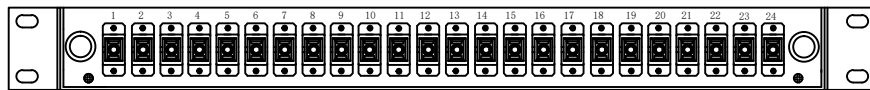
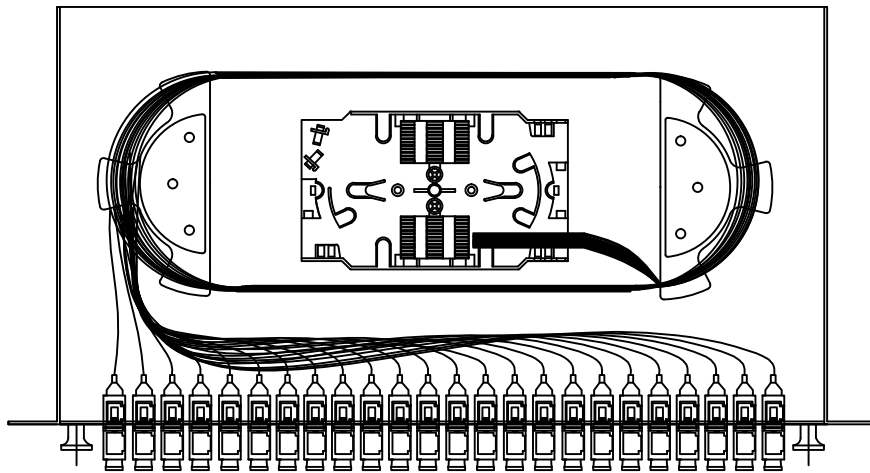
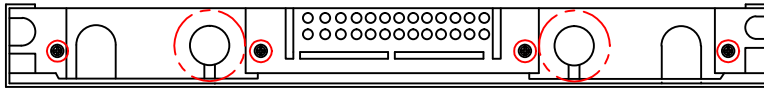
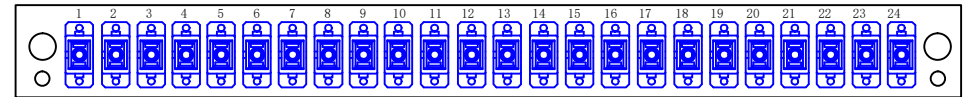


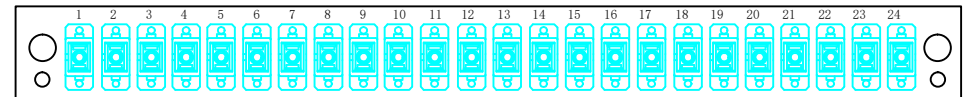
19" 1U Fiber Optic Patch panel Front panel for 24 × SC simplex Adapter vertical ,Black



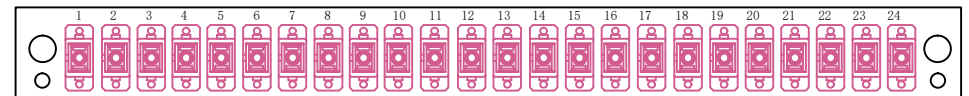
F103214 24 × SC OM2 Beige Simplex Adapter



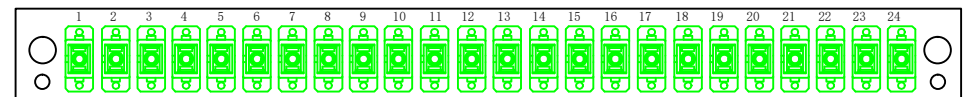
F103211 24 × SC OS2 Blue Simplex Adapter



F103215 24 × SC OM3 Aqua Simplex Adapter



F103216 24 × SC OM4 Erika Viollett Simplex Adapter



103200 24 × SC APC Green Simplex Adapter

MATERIAL LIST:

| | | | | |
|-----|---------------|---------------------------------|--------------|--------|
| ⑥ | Screw | ST 2*10 Screw | 48 | |
| ⑤ | Push pin | ABS OD:15.8 | 2 | |
| ④ | Spool | Fibre cable management Spool | 2 | |
| ③ | Splicing tray | 24 Core Splicing tray | 1 | |
| ② | Pigtail | Pigtail SC 12 different colours | 2 | |
| ① | Adapter | SC Simplex Adapter | 24 | |
| NO. | PARTS NAME | SPECIFICATION DESCRIPTION | QT'Y | REMARK |
| | | NEW | 2016. 08. 25 | A |
| BY | CHK | REVISION RECORD MODIFICATIONS | DATE | REV. |

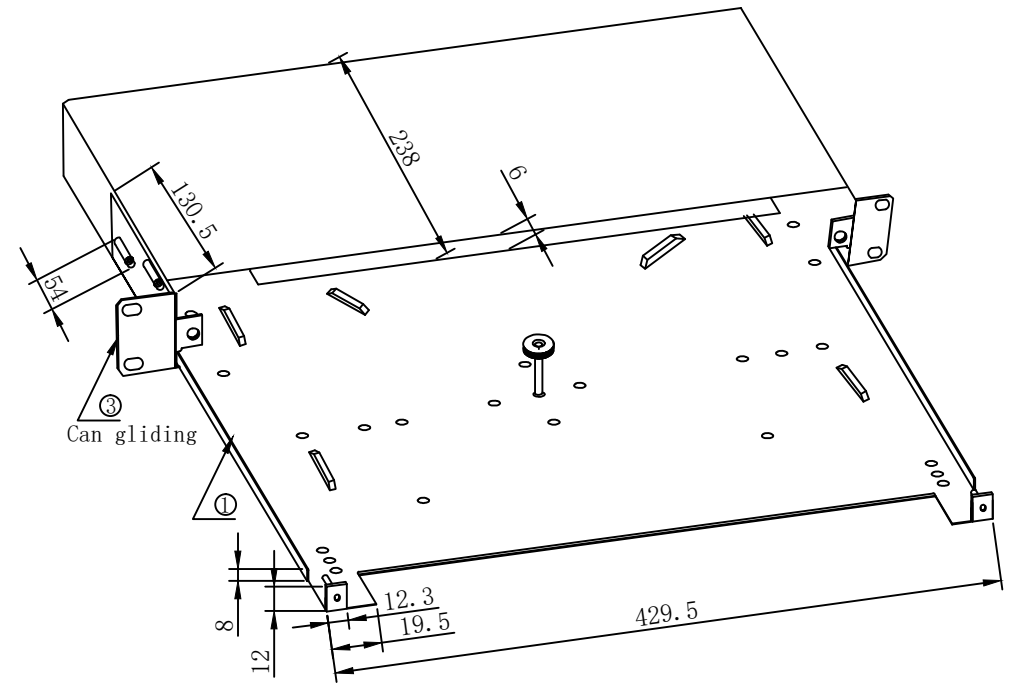
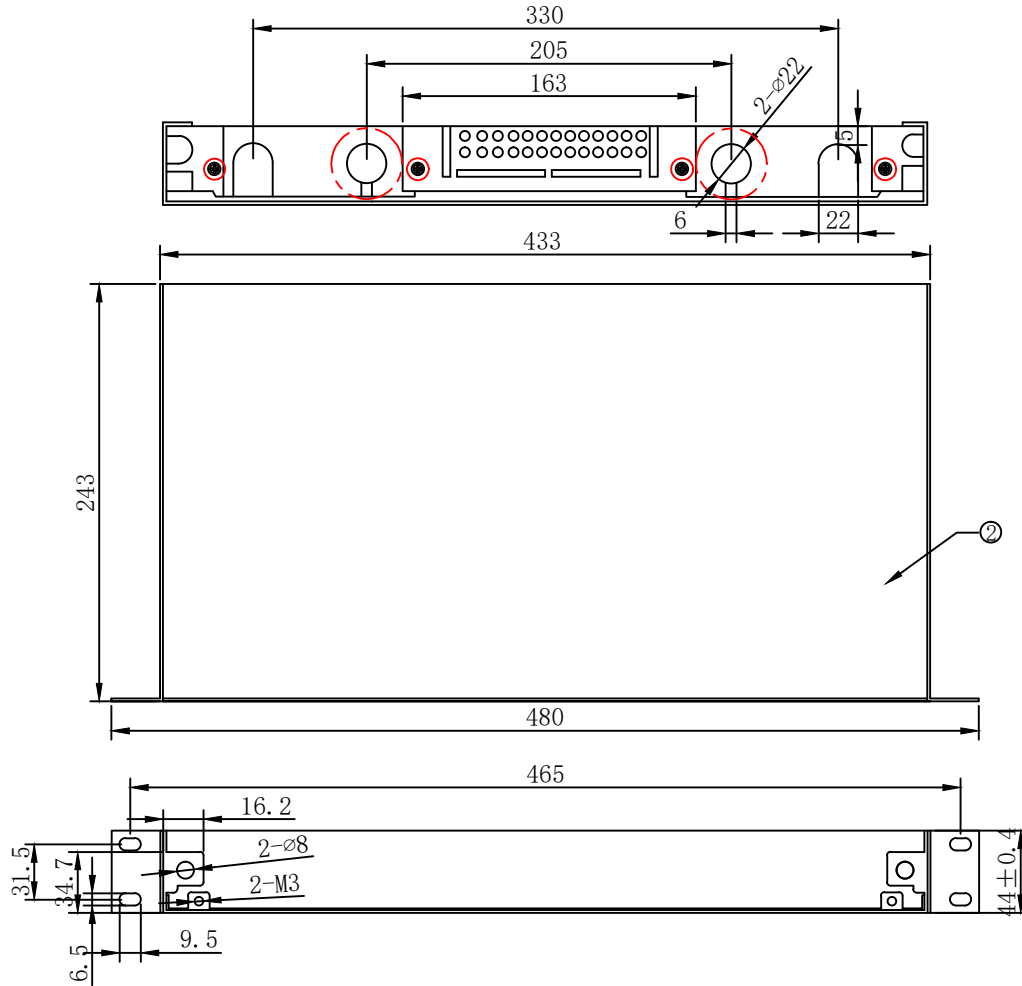
NOTE:

RoHS 2.0 COMPLIANT

1. Black(RAL 9005) matt black surface treatment
2. 1 2 3 4.....24 Font Arial
3. packing:1PCS/PE BAG+inner box +label

LogiLink Professional F24SS2/3/4

| | | | | |
|--------------|---|----------|--------------|----|
| 2Direct Gmbh | | ITEM NO. | | |
| PRODUCT NAME | 19" Fiber Optic Patch Panel, Fully loaded 10" sliding type with 24 core SC SX Adapter and pigtail | ITEM NO. | UNIT | MM |
| DRAWNBY | CHECKBY | APPOBY | DATE | |
| | | | 2016. 08. 25 | |



NOTE:

RoHS 2.0 COMPLIANT
 19" Fiber Optic Patch Panel, 1U" Sliding Type
 Changeable Front Panel
 Bottom panel 45° degree clippable
 Colour: Black (RAL 9005)

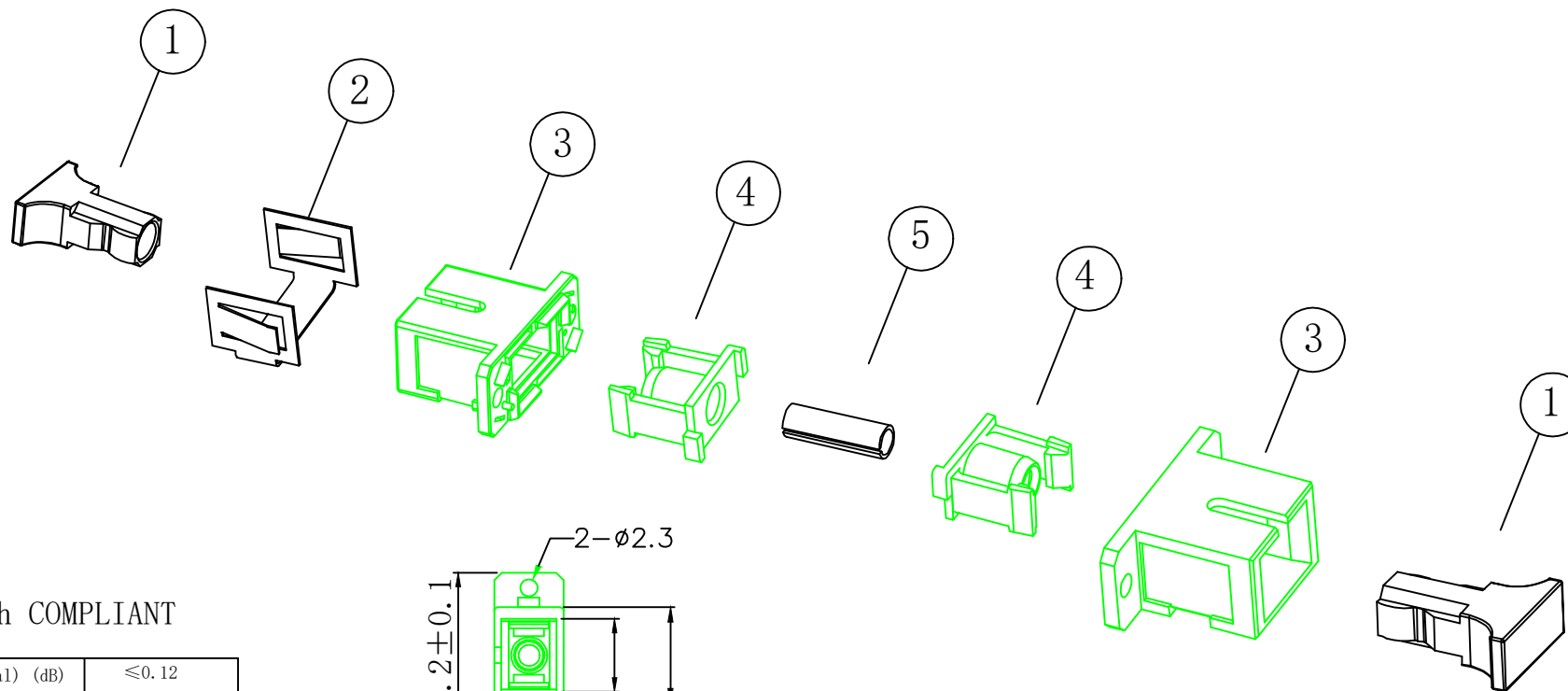
Accessory: Screw and Nut M6*18mm x 4set
 Cable Glands PG13.5 x 2 pcs
 Cable Tie 2.2*80mm x 6 pcs

MATERIAL LIST:

| NO. | PARTS NAME | SPECIFICATION DESCRIPTION | QT'Y | REMARK |
|-----|-------------------|---|------|--------|
| ⑤ | Push pin | ABS OD:15.8 | 2 | |
| ④ | Front panel | 1.0mm thickness Metallic Panel with plastic powder cladding | 1 | |
| ③ | Mounting | 1.5mm thickness Metallic Panel with plastic powder cladding | 2 | |
| ② | Upper Panel Cover | 1.0mm thickness Metallic Panel with plastic powder cladding | 1 | |
| ① | Bottom Panel | 1.0mm thickness Metallic Panel with plastic powder cladding | 1 | |

| BY | CHK | REVISION RECORD MODIFICATIONS | DATE | REV. |
|----|-----|-------------------------------|--------------|------|
| | | NEW | 2016. 08. 25 | A |
| BY | CHK | REVISION RECORD MODIFICATIONS | DATE | REV. |
| | | | 2016. 08. 25 | |

| PRODUCT NAME | | 2Direct GmbH | | ITEM NO. | |
|---|--|--------------|--|--------------|--|
| 19" Fiber Optic Patch Panel, 1U" sliding type | | | | | |
| DRAWNBY | | CHECKBY | | APPOBY | |
| | | | | DATE | |
| | | | | 2016. 08. 25 | |



NOTE:
RoHS 2.0 & Reach COMPLIANT

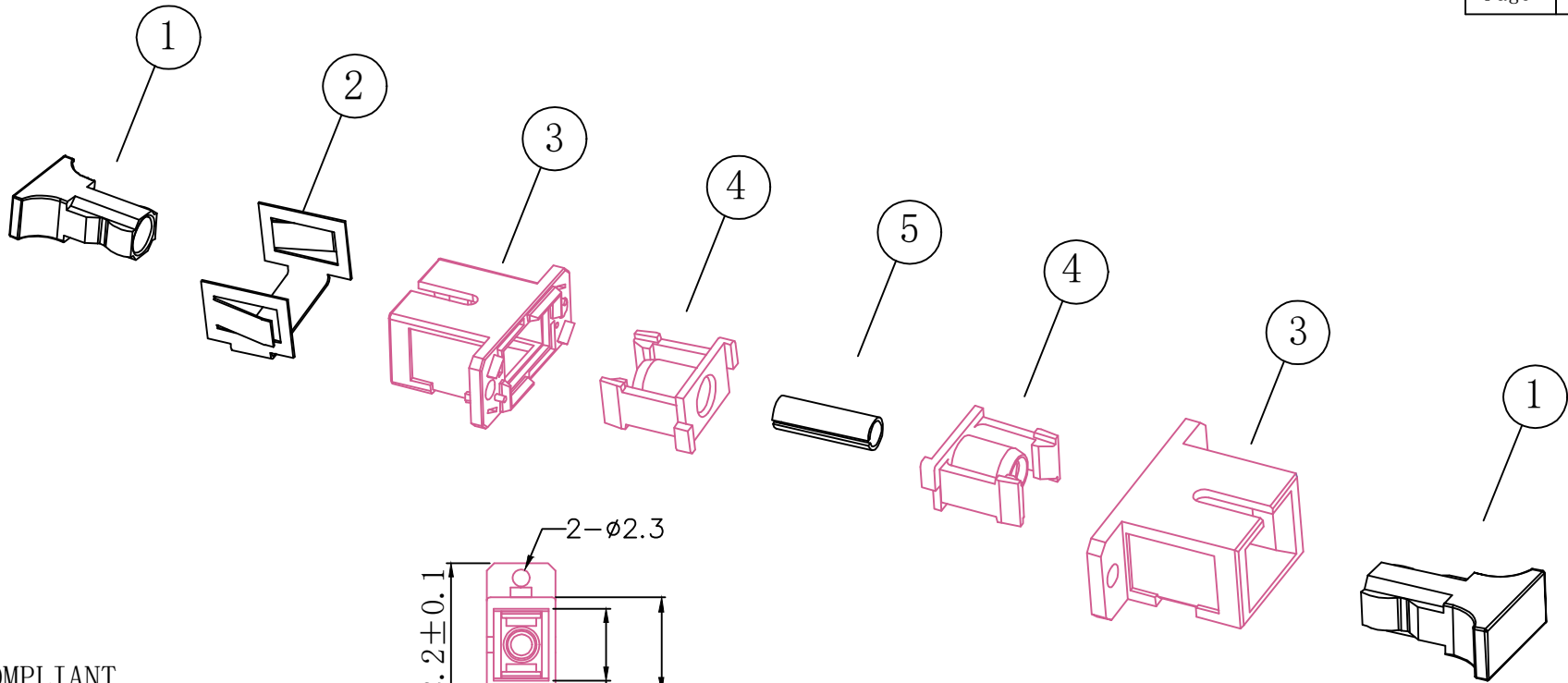
| | |
|-------------------------------|-----------|
| Insertion Loss (typical) (dB) | ≤0.12 |
| Insertion Loss (dB) | ≤0.20 |
| Operating Temperature (° C) | -40 ~ +80 |
| Storage Temperature (° C) | -40 ~ +85 |

MATERIAL LIST:

| ⑤ | SC/APC Sleeve ceramic (Single-mode) | 1pcs | |
|-----|-------------------------------------|-------|--------|
| ④ | SC GREEN Bush | 2pcs | |
| ③ | SC Simplex Green Body with flange | 2pcs | |
| ② | SC Metal Mount | 1pcs | |
| ① | SC Black Dust Cap | 2pcs | |
| NO. | SPECIFICATION STANDARD | QT' Y | REMARK |

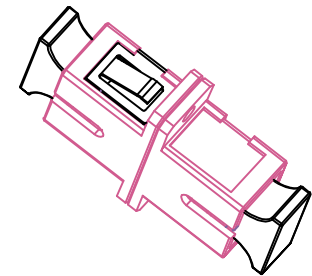
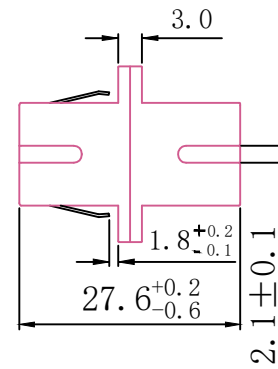
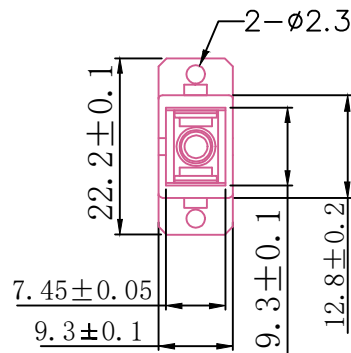
| | | | |
|--------------|--|----------|--------------|
| 2Direct GmbH | | ITEM NO. | |
| PRODUCT NAME | SC/APC Green (ceramic) Simplex plastic Adapter | ITEM NO. | |
| DRAWNBY | CHECKBY | APPOBY | DATE |
| | | | 2016. 08. 25 |

| | | | | |
|----|-----|-------------------------------|--------------|------|
| BY | CHK | NEW | 2016. 08. 25 | A |
| | | REVISION RECORD MODIFICATIONS | DATE | REV. |



NOTE:
RoHS 2.0 & Reach COMPLIANT

| | |
|-------------------------------|-----------|
| Insertion Loss (typical) (dB) | ≤0.12 |
| Insertion Loss (dB) | ≤0.20 |
| Operating Temperature (° C) | -40 ~ +80 |
| Storage Temperature (° C) | -40 ~ +85 |

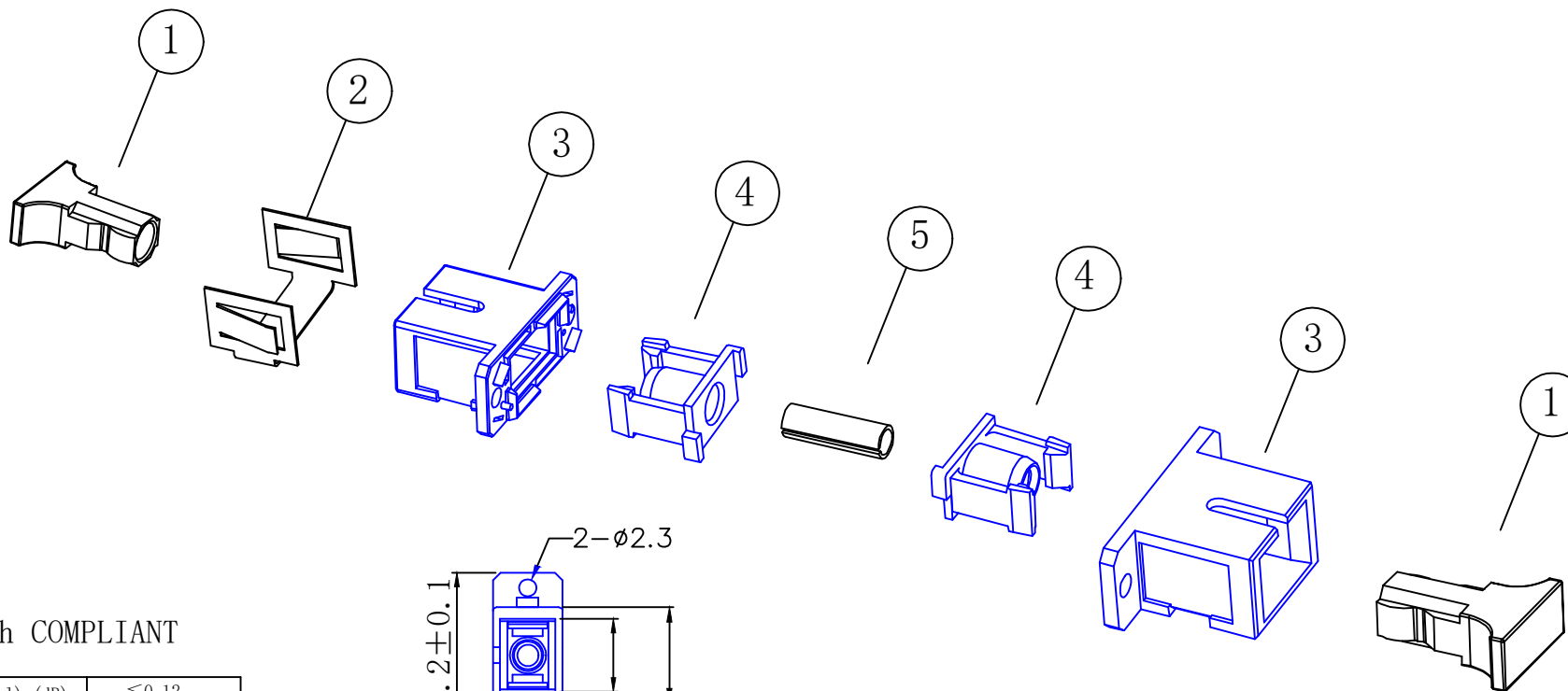


MATERIAL LIST:

| ⑤ | SC Sleeve ceramic (Multi-Mode) | 1pcs | |
|-----|---|-------|--------|
| ④ | SC Erika violett Bush | 2pcs | |
| ③ | SC Simplex Erika violett Body with flange | 2pcs | |
| ② | SC Metal Mount | 1pcs | |
| ① | SC Black Dust Cap | 2pcs | |
| NO. | SPECIFICATION STANDARD | QT' Y | REMARK |

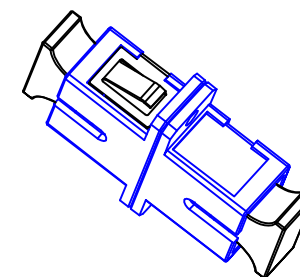
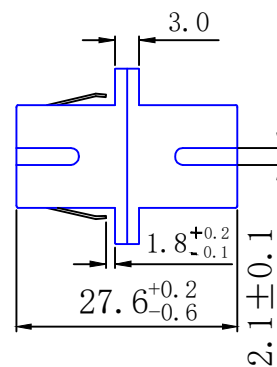
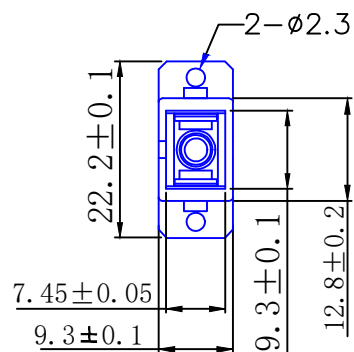
| | | | |
|--------------|---|----------|--------------|
| 2Direct GmbH | | ITEM NO. | |
| PRODUCT NAME | SC MM Erika violett (ceramic) Simplex plastic Adapter | ITEM NO. | |
| DRAWNBY | CHECKBY | APPOBY | DATE |
| | | | 2016. 08. 25 |

| | | | | |
|----|-----|-------------------------------|--------------|------|
| BY | CHK | REVISION RECORD MODIFICATIONS | DATE | REV. |
| | | NEW | 2016. 08. 25 | A |



NOTE:
RoHS 2.0 & Reach COMPLIANT

| | |
|-------------------------------|----------|
| Insertion Loss (typical) (dB) | ≤0.12 |
| Insertion Loss(dB) | ≤0.20 |
| Operating Temperature(° C) | -40 ~+80 |
| Storage Temperature(° C) | -40 ~+85 |



MATERIAL LIST:

| ⑤ | SC Sleeve Ceramic(Single-mode) | 1pcs | |
|-----|----------------------------------|-------|--------|
| ④ | SC Blue Bush | 2pcs | |
| ③ | SC Simplex Blue Body with flange | 2pcs | |
| ② | SC Metal Mount | 1pcs | |
| ① | SC Black Dust Cap | 2pcs | |
| NO. | SPECIFICATION STANDARD | QT' Y | REMARK |

LogiLink Professional F24SS2/3/4

2Direct GmbH

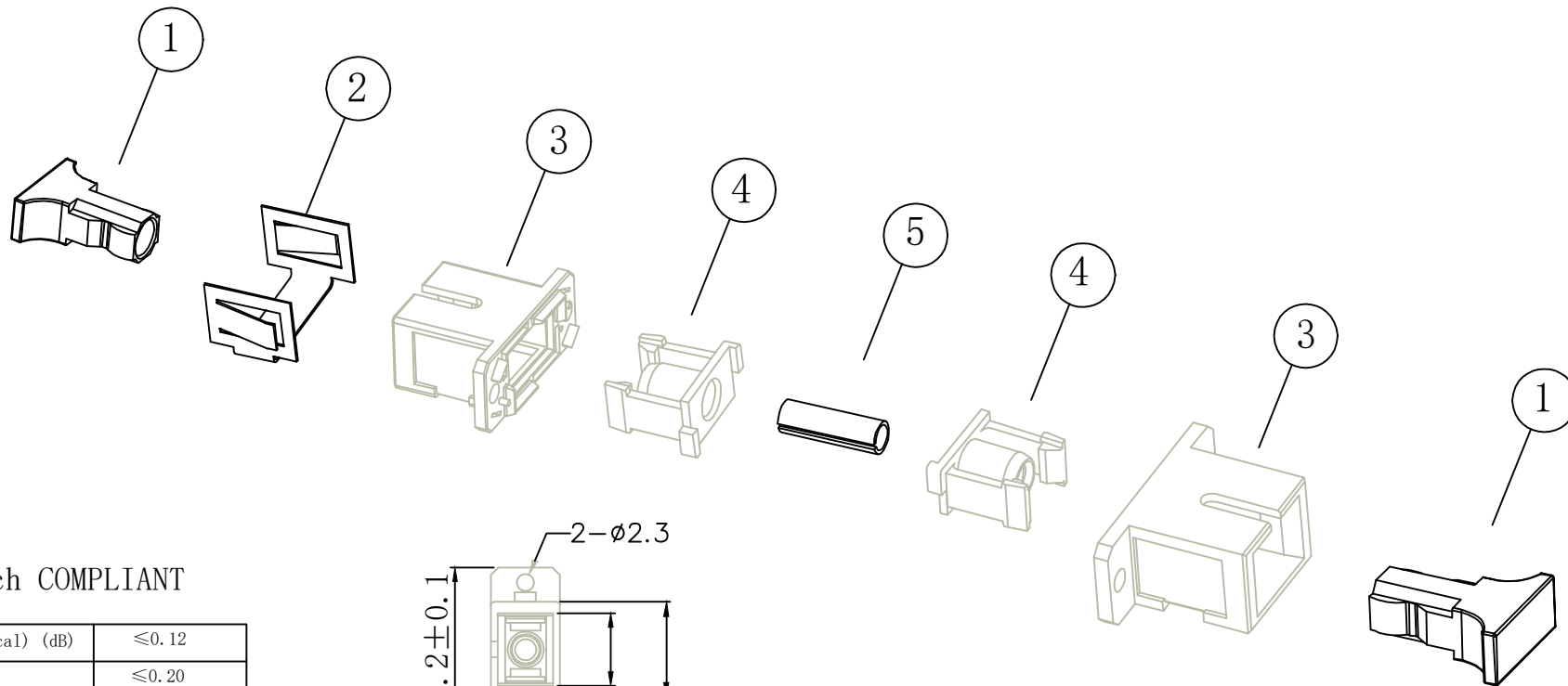
ITEM NO.

PRODUCT NAME
SC SM blue (ceramic)
Simplex plastic Adapter

ITEM NO.

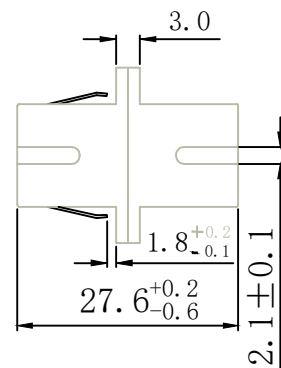
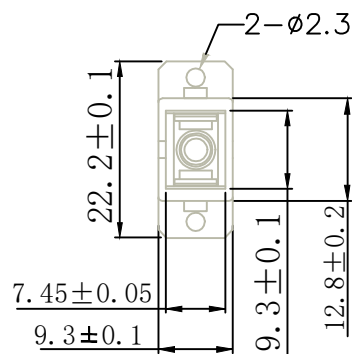
UNIT
MM

| | | | | | | | | |
|----|-----|-------------------------------|-----------|------|---------|---------|--------|-----------|
| BY | CHK | NEW | 2016-0 -2 | A | DRAWNBY | CHECKBY | APPOBY | DATE |
| | | REVISION RECORD MODIFICATIONS | DATE | REV. | | | | 2016-0 -2 |



NOTE:
RoHS 2.0 & Reach COMPLIANT

| | |
|-------------------------------|----------|
| Insertion Loss (typical) (dB) | ≤0.12 |
| Insertion Loss (dB) | ≤0.20 |
| Operating Temperature (° C) | -40 ~+80 |
| Storage Temperature (° C) | -40 ~+85 |

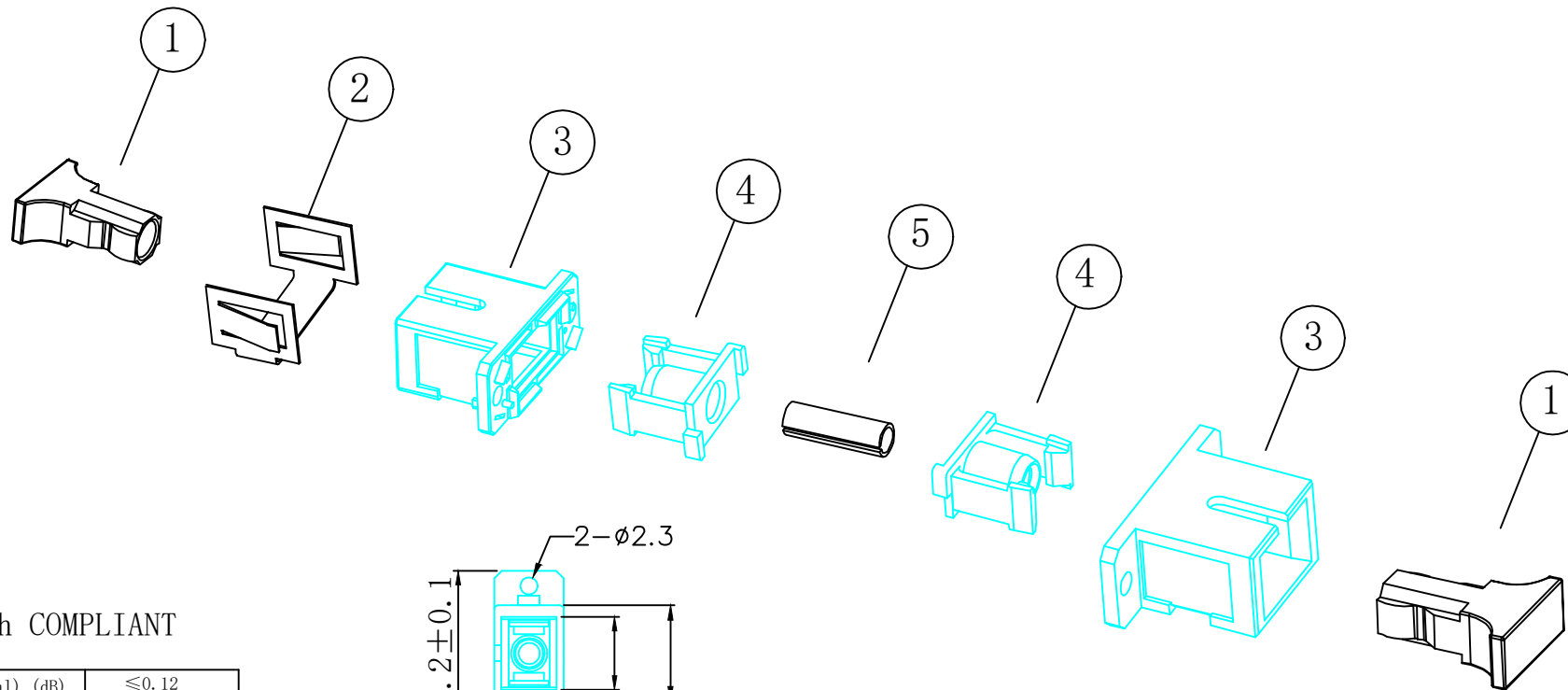


MATERIAL LIST:

| | | | |
|-----|-----------------------------------|-------|--------|
| ⑤ | SC Sleeve ceramic (Multi-Mode) | 1pcs | |
| ④ | SC Beige Bush | 2pcs | |
| ③ | SC Simplex Beige Body with flange | 2pcs | |
| ② | SC Metal Mount | 1pcs | |
| ① | SC Black Dust Cap | 2pcs | |
| NO. | SPECIFICATION STANDARD | QT' Y | REMARK |

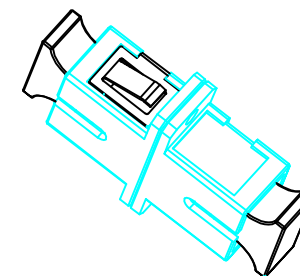
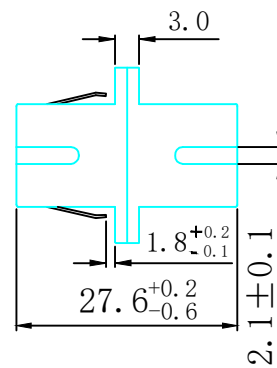
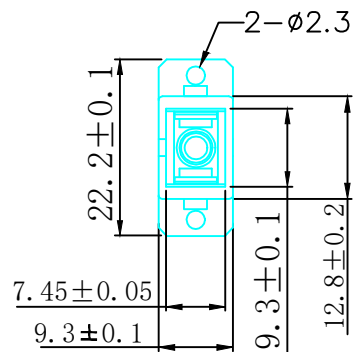
LogiLink Professional F24SS2/3/4

| | | | | | | | |
|-------------------------------|-----|--|----------|----------|---------|-----------|--------|
| | | 2Direct Gmbh | | ITEM NO. | | | |
| PRODUCT NAME | | SC MM beige (ceramic) Simplex plastic Adapter | | ITEM NO. | | UNIT MM | |
| BY | CHK | NEW | 2016- -2 | A | DRAWNBY | CHECKBY | APPOBY |
| REVISION RECORD MODIFICATIONS | | DATE | REV. | | | DATE | |
| | | | | | | 2016-0 -2 | |



NOTE:
RoHS 2.0 & Reach COMPLIANT

| | |
|-------------------------------|-----------|
| Insertion Loss (typical) (dB) | ≤0.12 |
| Insertion Loss (dB) | ≤0.20 |
| Operating Temperature (° C) | -40 ~ +80 |
| Storage Temperature (° C) | -40 ~ +85 |



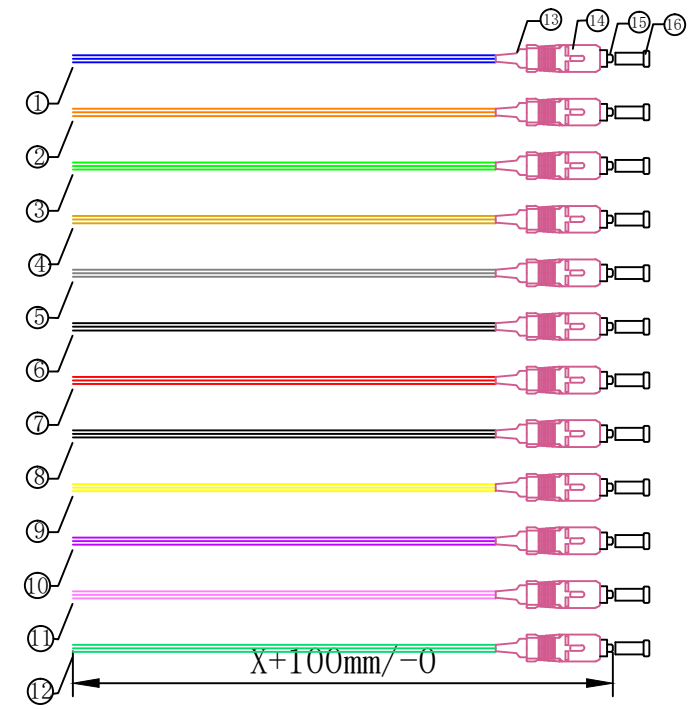
MATERIAL LIST:

| | | | |
|-----|----------------------------------|------|--------|
| ⑤ | SC Sleeve ceramic (Multi-Mode) | 1pcs | |
| ④ | SC Aqua Bush | 2pcs | |
| ③ | SC Simplex Aqua Body with flange | 2pcs | |
| ② | SC Metal Mount | 1pcs | |
| ① | SC Black Dust Cap | 2pcs | |
| NO. | SPECIFICATION STANDARD | QT'Y | REMARK |

LogiLink Professional F24SS2/3/4

| | | | | | | | |
|--------------|--|--|--|-------------------------------|--|-----------|--|
| | | 2Direct Gmbh | | ITEM NO. | | | |
| PRODUCT NAME | | SC MM Aqua (ceramic) Simplex plastic Adapter | | ITEM NO. | | 1 | |
| DRAWNBY | | CHECKBY | | APPOBY | | DATE | |
| BY | | CHK | | REVISION RECORD MODIFICATIONS | | 2016-0 -2 | |
| | | NEW | | A | | 2016-0 -2 | |
| DATE | | REV. | | | | 2016-0 -2 | |

NOTE:
 The primary coating and secondary coating
 have the same coulor
 RoHS 2.0 Compliant



| | | | |
|---|---|----|--|
| ⑬ | SC Transparent Dust Cap | 12 | |
| ⑮ | SC/ UPC MM Ferrule 126-128um | 12 | |
| ⑭ | SC MM 0.9 Erika violett Connector | 12 | |
| ⑬ | SC 0.9 Erika violett Boot | 12 | |
| ⑫ | Fiber Cable LOOSE TUBE MM OM4 50/125 0.9mm TURQUOISE LSZH | Xm | |
| ⑪ | Fiber Cable LOOSE TUBE MM OM4 50/125 0.9mm PINK LSZH | Xm | |
| ⑩ | Fiber Cable LOOSE TUBE MM OM4 50/125 0.9mm VIOLET LSZH | Xm | |
| ⑨ | Fiber Cable LOOSE TUBE MM OM4 50/125 0.9mm YELLOW LSZH | Xm | |
| ⑧ | Fiber Cable LOOSE TUBE MM OM4 50/125 0.9mm BLACK LSZH | Xm | |
| ⑦ | Fiber Cable LOOSE TUBE MM OM4 50/125 0.9mm RED LSZH | Xm | |
| ⑥ | Fiber Cable LOOSE TUBE MM OM4 50/125 0.9mm WHITE LSZH | Xm | |
| ⑤ | Fiber Cable LOOSE TUBE MM OM4 50/125 0.9mm GREY LSZH | Xm | |
| ④ | Fiber Cable LOOSE TUBE MM OM4 50/125 0.9mm BROWN LSZH | Xm | |
| ③ | Fiber Cable LOOSE TUBE MM OM4 50/125 0.9mm GREEN LSZH | Xm | |
| ② | Fiber Cable LOOSE TUBE MM OM4 50/125 0.9mm ORANGE LSZH | Xm | |
| ① | Fiber Cable LOOSE TUBE MM OM4 50/125 0.9mm BLUE LSZH | Xm | |

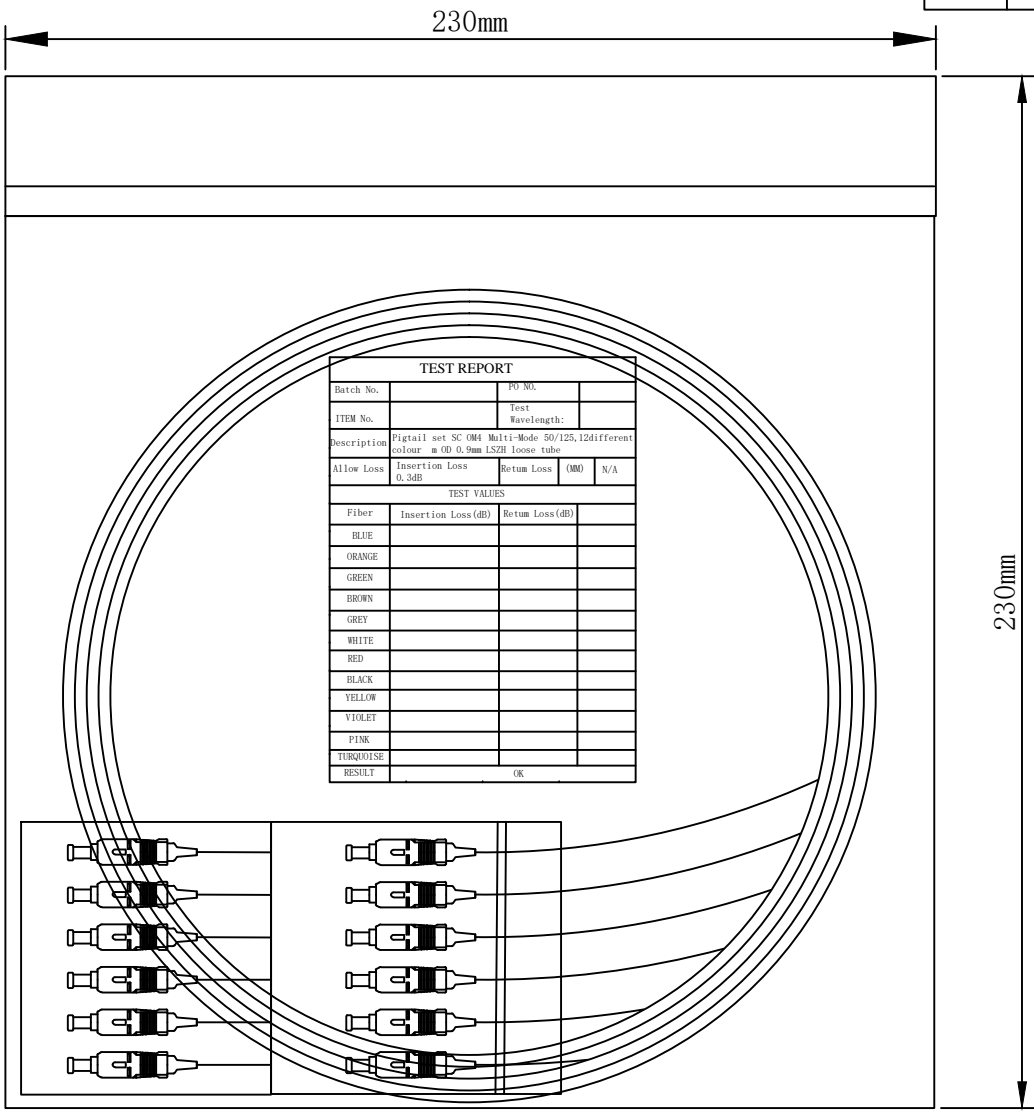
| | |
|-----------------|---------------------|
| Type | Multi-Mode |
| Insertion Loss | $\leq 0.3\text{dB}$ |
| Return Loss | NA |
| Test Wavelength | 850nm |

| | | | |
|----|------------------------|-------|--------|
| NO | SPECIFICATION STANDARD | QT' Y | REMARK |
|----|------------------------|-------|--------|

| | | | |
|-------------------------------|---|----------|------------|
| 2Direct Gmbh | | ITEM NO. | |
| PRODUCT NAME | Pigtailset SC/UPC OM4 50/125 μm 12 different coulor | ITEM NO. | 1 |
| DATE | 2016.08.25 | REV. | A |
| BY | CHK | DRAWNBY | CHECKBY |
| REVISION RECORD MODIFICATIONS | | APPOBY | DATE |
| | | | 2016.08.25 |

| | | | | |
|----|-----|-------------------------------|------------|------|
| BY | CHK | REVISION RECORD MODIFICATIONS | DATE | REV. |
| | | | 2016.08.25 | A |

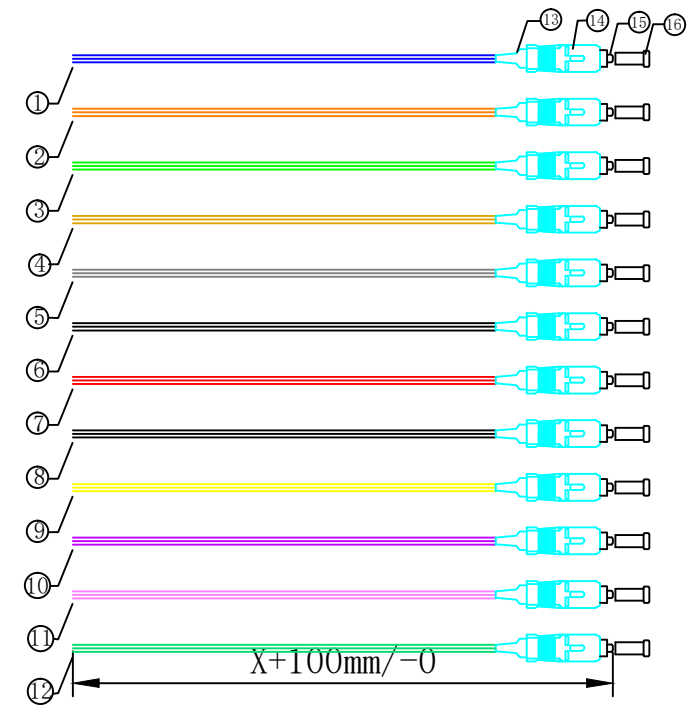
| TEST REPORT | | | | |
|-------------|---|------------------|------|-----|
| Batch No. | | PO NO. | | |
| ITEM No. | | Test Wavelength: | | |
| Description | Pigtail set SC OM4 Multi-Mode 50/125, 12 different colour xm OD 0.9mm LSZH loose tube | | | |
| Allow Loss | Insertion Loss 0.3dB | Return Loss | (MM) | N/A |
| TEST VALUES | | | | |
| Fiber | Insertion Loss (dB) | Return Loss (dB) | | |
| BLUE | | | | |
| ORANGE | | | | |
| GREEN | | | | |
| BROWN | | | | |
| GREY | | | | |
| WHITE | | | | |
| RED | | | | |
| BLACK | | | | |
| YELLOW | | | | |
| VIOLET | | | | |
| PINK | | | | |
| TURQUOISE | | | | |
| RESULT | OK | | | |



| TEST REPORT | | | | |
|-------------|---|------------------|------|-----|
| Batch No. | | PO NO. | | |
| ITEM No. | | Test Wavelength: | | |
| Description | Pigtail set SC OM4 Multi-Mode 50/125, 12 different colour xm OD 0.9mm LSZH loose tube | | | |
| Allow Loss | Insertion Loss 0.3dB | Return Loss | (MM) | N/A |
| TEST VALUES | | | | |
| Fiber | Insertion Loss (dB) | Return Loss (dB) | | |
| BLUE | | | | |
| ORANGE | | | | |
| GREEN | | | | |
| BROWN | | | | |
| GREY | | | | |
| WHITE | | | | |
| RED | | | | |
| BLACK | | | | |
| YELLOW | | | | |
| VIOLET | | | | |
| PINK | | | | |
| TURQUOISE | | | | |
| RESULT | OK | | | |

| | | | | | | | |
|-------------------------------|--|--------------|--------------|----------|---------|--------------|--------|
| | | 2Direct Gmbh | | ITEM NO. | | | |
| PRODUCT NAME | Pigtailset SC/UPC OM4 50/125 μm 12 different colors | ITEM NO. | 1 | UNIT | MM | | |
| BY | CHK | NEW | 2016. 08. 25 | A | DRAWNBY | CHECKBY | APPOBY |
| REVISION RECORD MODIFICATIONS | | DATE | REV. | | | 2016. 08. 25 | |

NOTE:
 The primary coating and secondary coating
 have the same coulor
 ROHS 2.0 Compliant

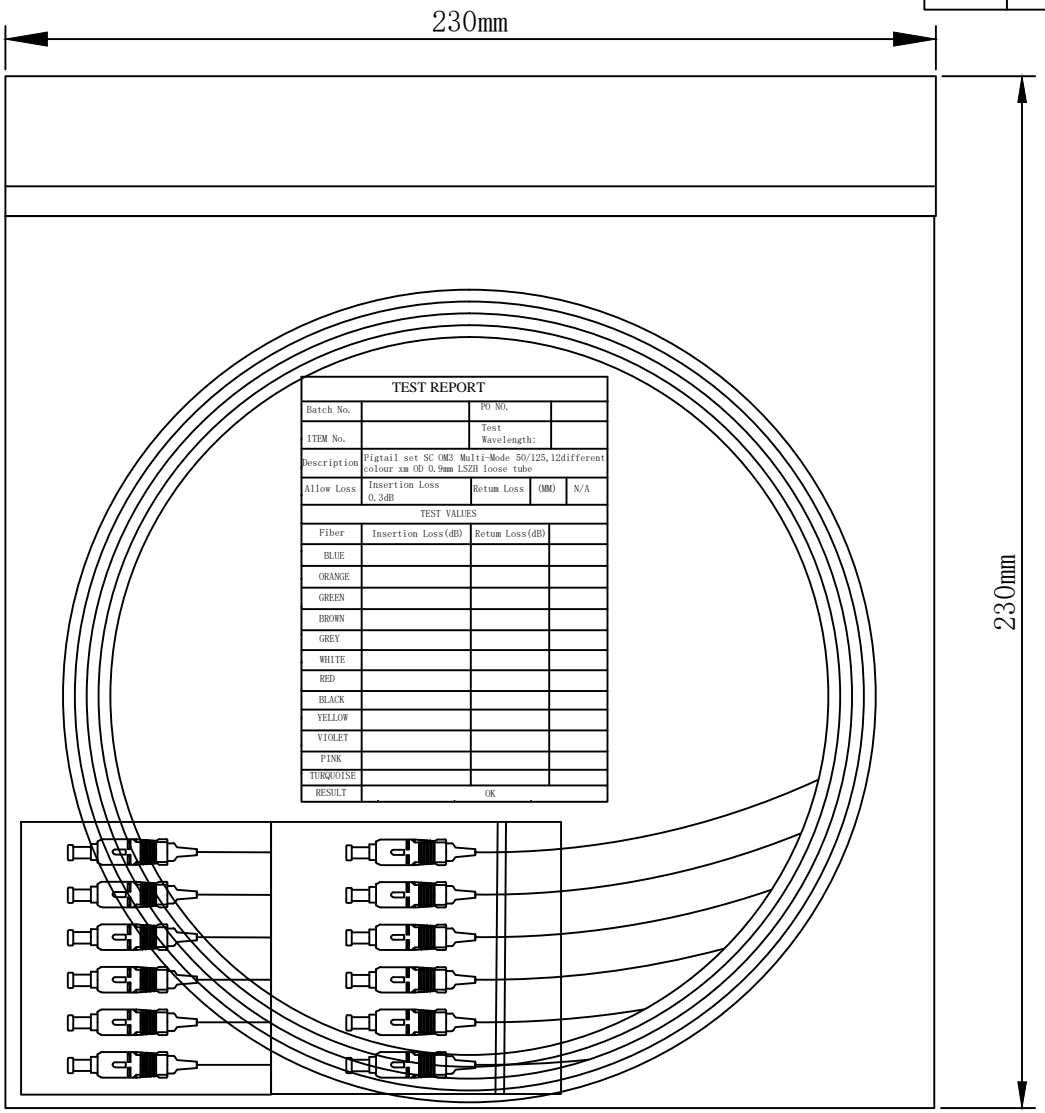


| | | | |
|----|---|-------|--------|
| ⑬ | SC Transparent Dust Cap | 12 | |
| ⑮ | SC/ UPC MM Ferrule 126-128um | 12 | |
| ⑭ | SC MM 0.9 Aqua Connector | 12 | |
| ⑬ | SC 0.9 Aqua Boot | 12 | |
| ⑫ | Fiber Cable LOOSE TUBE MM OM3 50/125 0.9mm TURQUOISE LSZH | Xm | |
| ⑪ | Fiber Cable LOOSE TUBE MM OM3 50/125 0.9mm PINK LSZH | Xm | |
| ⑩ | Fiber Cable LOOSE TUBE MM OM3 50/125 0.9mm VIOLET LSZH | Xm | |
| ⑨ | Fiber Cable LOOSE TUBE MM OM3 50/125 0.9mm YELLOW LSZH | Xm | |
| ⑧ | Fiber Cable LOOSE TUBE MM OM3 50/125 0.9mm BLACK LSZH | Xm | |
| ⑦ | Fiber Cable LOOSE TUBE MM OM3 50/125 0.9mm RED LSZH | Xm | |
| ⑥ | Fiber Cable LOOSE TUBE MM OM3 50/125 0.9mm WHITE LSZH | Xm | |
| ⑤ | Fiber Cable LOOSE TUBE MM OM3 50/125 0.9mm GREY LSZH | Xm | |
| ④ | Fiber Cable LOOSE TUBE MM OM3 50/125 0.9mm BROWN LSZH | Xm | |
| ③ | Fiber Cable LOOSE TUBE MM OM3 50/125 0.9mm GREEN LSZH | Xm | |
| ② | Fiber Cable LOOSE TUBE MM OM3 50/125 0.9mm ORANGE LSZH | Xm | |
| ① | Fiber Cable LOOSE TUBE MM OM3 50/125 0.9mm BLUE LSZH | Xm | |
| NO | SPECIFICATION STANDARD | QT' Y | REMARK |

| | |
|-----------------|------------|
| Type | Multi-Mode |
| Insertion Loss | <=0.3dB |
| Return Loss | NA |
| Test Wavelength | 850nm |

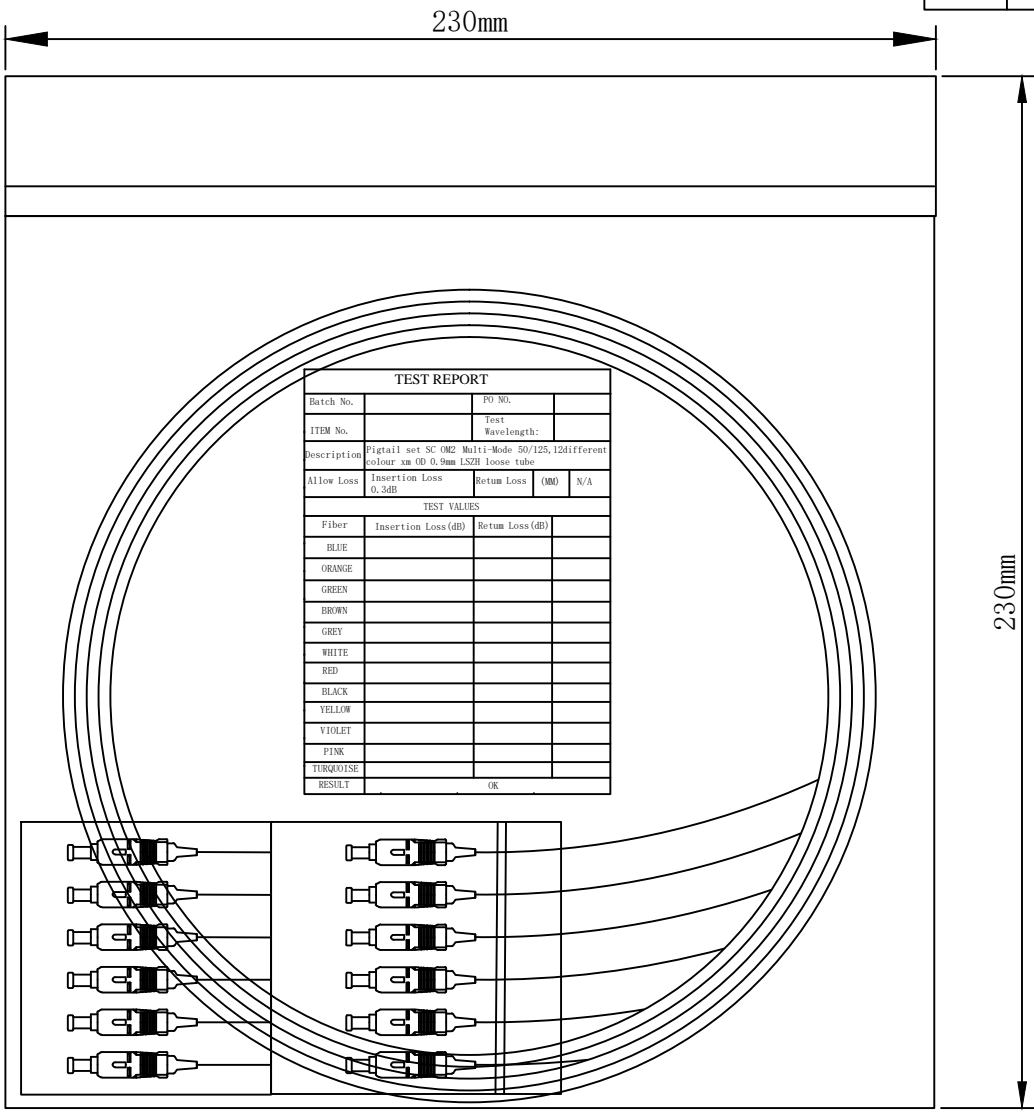
| | | | | | | | |
|--------------|---|-------------------------------|------------|----------|---------|---------|------------|
| | | 2Direct Gmbh | | ITEM NO. | | | |
| PRODUCT NAME | Pigtailset SC/UPC OM3 50/125 μm 12 different coulor | | | ITEM NO. | 1 | UNIT | MM |
| BY | CHK | NEW | DATE | REV. | DRAWNBY | CHECKBY | APPOBY |
| | | REVISION RECORD MODIFICATIONS | 2016.08.25 | A | | | DATE |
| | | | | | | | 2016.08.25 |

| TEST REPORT | | | | |
|-------------|---|------------------|------|-----|
| Batch No. | | PO NO. | | |
| ITEM No. | | Test Wavelength: | | |
| Description | Pigtail set SC OM3 Multi-Mode 50/125, 12 different colour xm OD 0.9mm LSZH loose tube | | | |
| Allow Loss | Insertion Loss 0.3dB | Return Loss | (MM) | N/A |
| TEST VALUES | | | | |
| Fiber | Insertion Loss (dB) | Return Loss (dB) | | |
| BLUE | | | | |
| ORANGE | | | | |
| GREEN | | | | |
| BROWN | | | | |
| GREY | | | | |
| WHITE | | | | |
| RED | | | | |
| BLACK | | | | |
| YELLOW | | | | |
| VIOLET | | | | |
| PINK | | | | |
| TURQUOISE | | | | |
| RESULT | OK | | | |



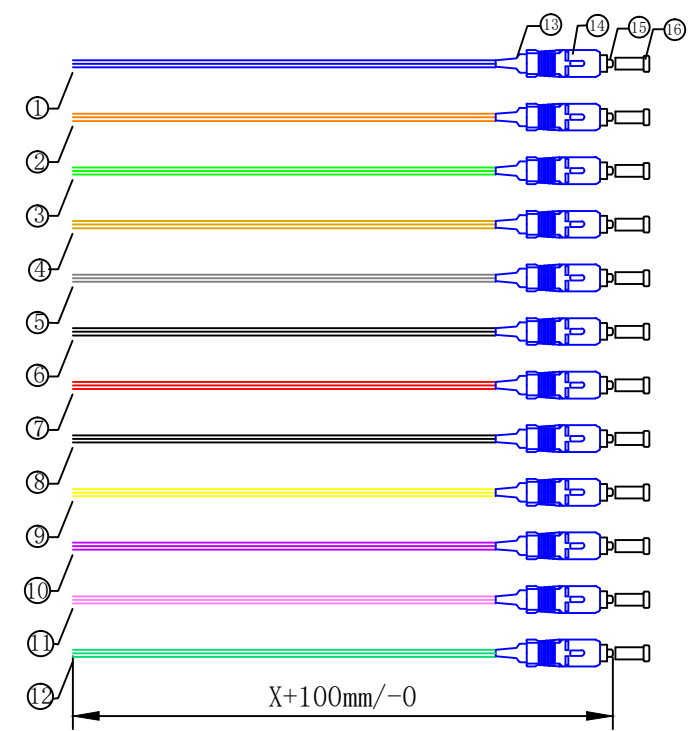
| | | | | | | | |
|--------------|---|-------------------------------|------------|----------|---------|---------|------------|
| | | 2Direct Gmbh | | ITEM NO. | | | |
| PRODUCT NAME | Pigtailset SC/UPC OM3 50/125 μm 12 different colors | | | ITEM NO. | 1 | UNIT | MM |
| BY | CHK | NEW | 2016.08.25 | A | DRAWNBY | CHECKBY | APPOBY |
| | | REVISION RECORD MODIFICATIONS | DATE | REV. | | | 2016.08.25 |

| TEST REPORT | | | | |
|-------------|---|------------------|------|-----|
| Batch No. | | PO NO. | | |
| ITEM No. | | Test Wavelength: | | |
| Description | Pigtail set SC OM2 Multi-Mode 50/125, 12 different colour xm OD 0.9mm LSZH loose tube | | | |
| Allow Loss | Insertion Loss 0.3dB | Return Loss | (MM) | N/A |
| TEST VALUES | | | | |
| Fiber | Insertion Loss (dB) | Return Loss (dB) | | |
| BLUE | | | | |
| ORANGE | | | | |
| GREEN | | | | |
| BROWN | | | | |
| GREY | | | | |
| WHITE | | | | |
| RED | | | | |
| BLACK | | | | |
| YELLOW | | | | |
| VIOLET | | | | |
| PINK | | | | |
| TURQUOISE | | | | |
| RESULT | OK | | | |



| | | | | | | | |
|--------------|---|-------------------------------|------------|----------|---------|---------|------------|
| | | 2Direct GmbH | | ITEM NO. | | | |
| PRODUCT NAME | Pigtailset SC/UPC OM2 50/125 μm 12 different colors | | | ITEM NO. | 1 | UNIT | MM |
| BY | CHK | NEW | 2016.08.25 | A | DRAWNBY | CHECKBY | APPOBY |
| | | REVISION RECORD MODIFICATIONS | DATE | REV. | | | 2016.08.25 |

NOTE:
 The primary coating and secondary coating
 have the same color
 ROHS 2.0 Compliant



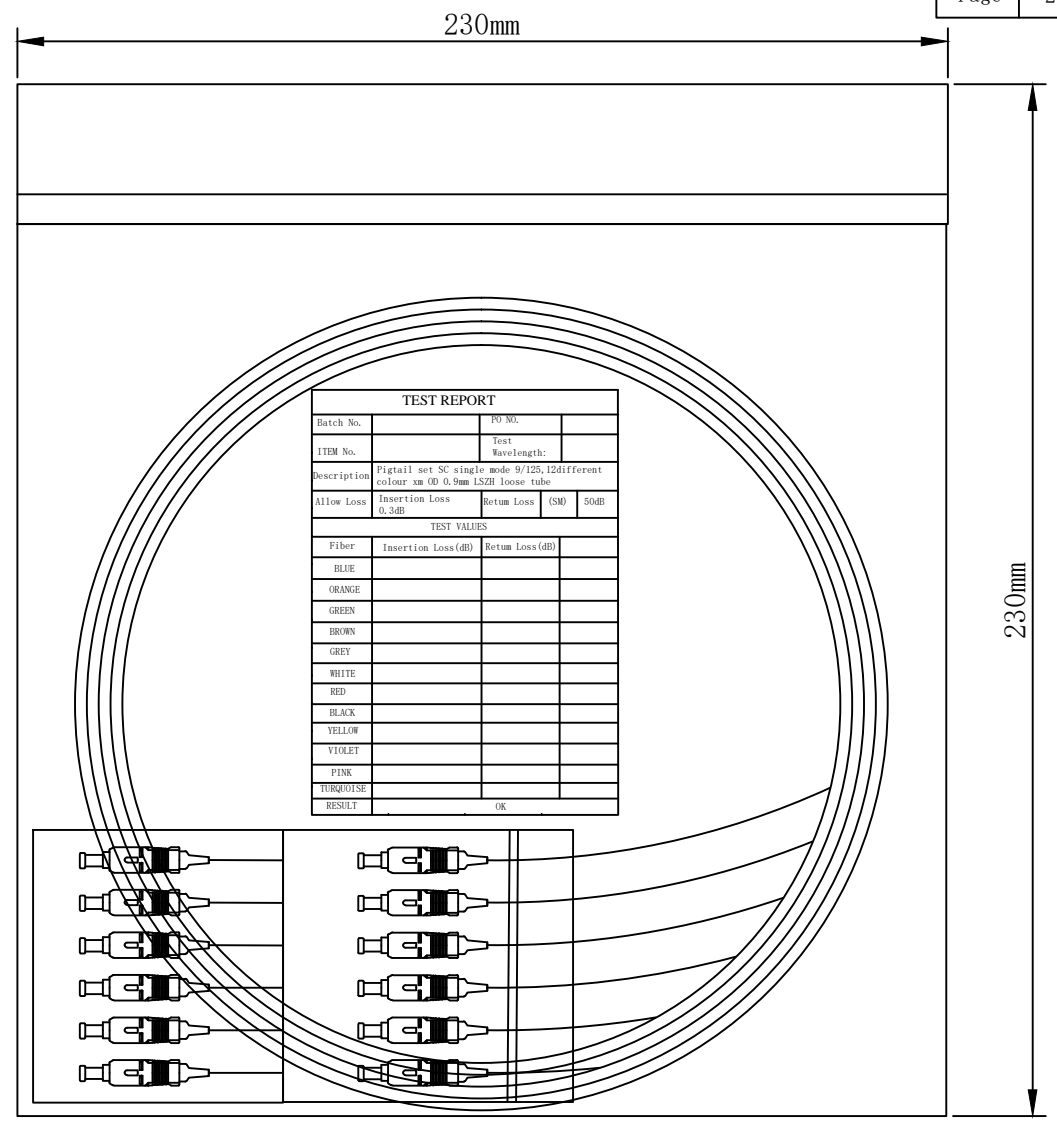
| | | | |
|---|--|----|--|
| ⑬ | SC Transparent Dust Cap | 12 | |
| ⑮ | SC/ UPC SM Ferrule 125-126um | 12 | |
| ⑭ | SC SM 0.9 Blue Connector | 12 | |
| ⑬ | SC 0.9 Blue Boot | 12 | |
| ⑫ | Fiber Cable LOOSE TUBE SM 9/125 0.9mm TURQUOISE LSZH | Xm | |
| ⑪ | Fiber Cable LOOSE TUBE SM 9/125 0.9mm PINK LSZH | Xm | |
| ⑩ | Fiber Cable LOOSE TUBE SM 9/125 0.9mm VIOLET LSZH | Xm | |
| ⑨ | Fiber Cable LOOSE TUBE SM 9/125 0.9mm YELLOW LSZH | Xm | |
| ⑧ | Fiber Cable LOOSE TUBE SM 9/125 0.9mm BLACK LSZH | Xm | |
| ⑦ | Fiber Cable LOOSE TUBE SM 9/125 0.9mm RED LSZH | Xm | |
| ⑥ | Fiber Cable LOOSE TUBE SM 9/125/125 0.9mm WHITE LSZH | Xm | |
| ⑤ | Fiber Cable LOOSE TUBE SM 9/125 0.9mm GREY LSZH | Xm | |
| ④ | Fiber Cable LOOSE TUBE SM 9/125 0.9mm BROWN LSZH | Xm | |
| ③ | Fiber Cable LOOSE TUBE SM 9/125 0.9mm GREEN LSZH | Xm | |
| ② | Fiber Cable LOOSE TUBE SM 9/125 0.9mm ORANGE LSZH | Xm | |
| ① | Fiber Cable LOOSE TUBE SM 9/125 0.9mm BLUE LSZH | Xm | |

| | |
|-----------------|---------------------|
| Type | Single-Mode |
| Insertion Loss | $\leq 0.3\text{dB}$ |
| Return Loss | $\geq 50\text{dB}$ |
| Test Wavelength | 1310nm |

| | | | |
|----|------------------------|-------------------------------|--------|
| NO | SPECIFICATION STANDARD | QT' Y | REMARK |
| | | | |
| BY | CHK | REVISION RECORD MODIFICATIONS | |

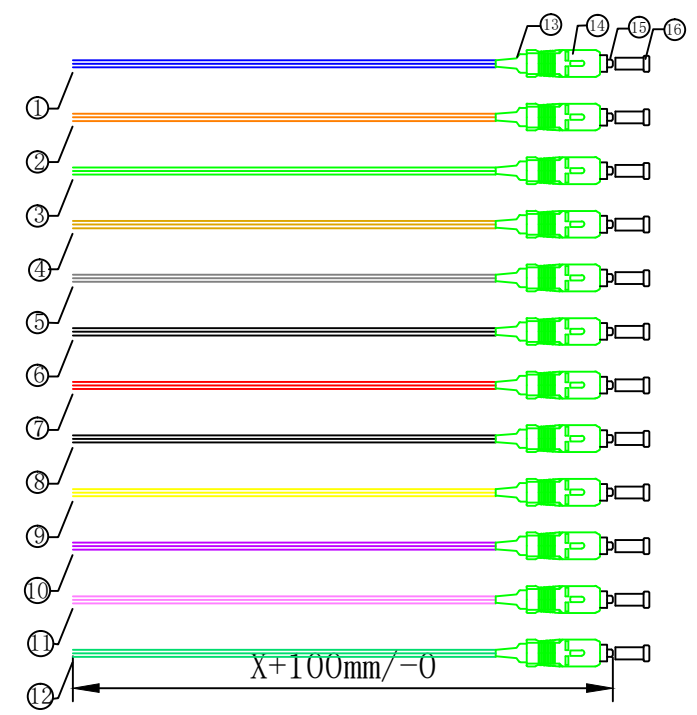
| | | | |
|--------------|--|------------|--------------|
| 2Direct Gmbh | | ITEM NO. | |
| PRODUCT NAME | Pigtailset SC/UPC 9/125 μm 12 different colors | ITEM NO. 1 | UNIT MM |
| DATE | 2016. 08. 25 | REV. | A |
| DRAWNBY | CHECKBY | APPOBY | DATE |
| | | | 2016. 08. 25 |

| TEST REPORT | | | | |
|-------------|---|------------------|------|------|
| Batch No. | | PO NO. | | |
| ITEM No. | | Test Wavelength: | | |
| Description | Pigtail set SC single mode 9/125, 12 different colour xm OD 0.9mm LSZH loose tube | | | |
| Allow Loss | Insertion Loss 0.3dB | Return Loss | (SM) | 50dB |
| TEST VALUES | | | | |
| Fiber | Insertion Loss (dB) | Return Loss (dB) | | |
| BLUE | | | | |
| ORANGE | | | | |
| GREEN | | | | |
| BROWN | | | | |
| GREY | | | | |
| WHITE | | | | |
| RED | | | | |
| BLACK | | | | |
| YELLOW | | | | |
| VIOLET | | | | |
| PINK | | | | |
| TURQUOISE | | | | |
| RESULT | OK | | | |



| | | | | | | | |
|----|-----|--|--|--------------|------|--------------|---------|
| | | 2Direct Gmbh | | ITEM NO. | | | |
| | | PRODUCT NAME Pigtailset SC/UPC 9/125 μm 12 different coulors | | ITEM NO. | | UNIT MM | |
| | | NEW | | 2016. 08. 25 | | A | |
| BY | CHK | REVISION RECORD MODIFICATIONS | | DATE | REV. | DRAWNBY | CHECKBY |
| | | | | | | APPOBY | DATE |
| | | | | | | 2016. 08. 25 | |

NOTE:
 The primary coating and secondary coating
 have the same coulor
 ROHS 2.0 Compliant

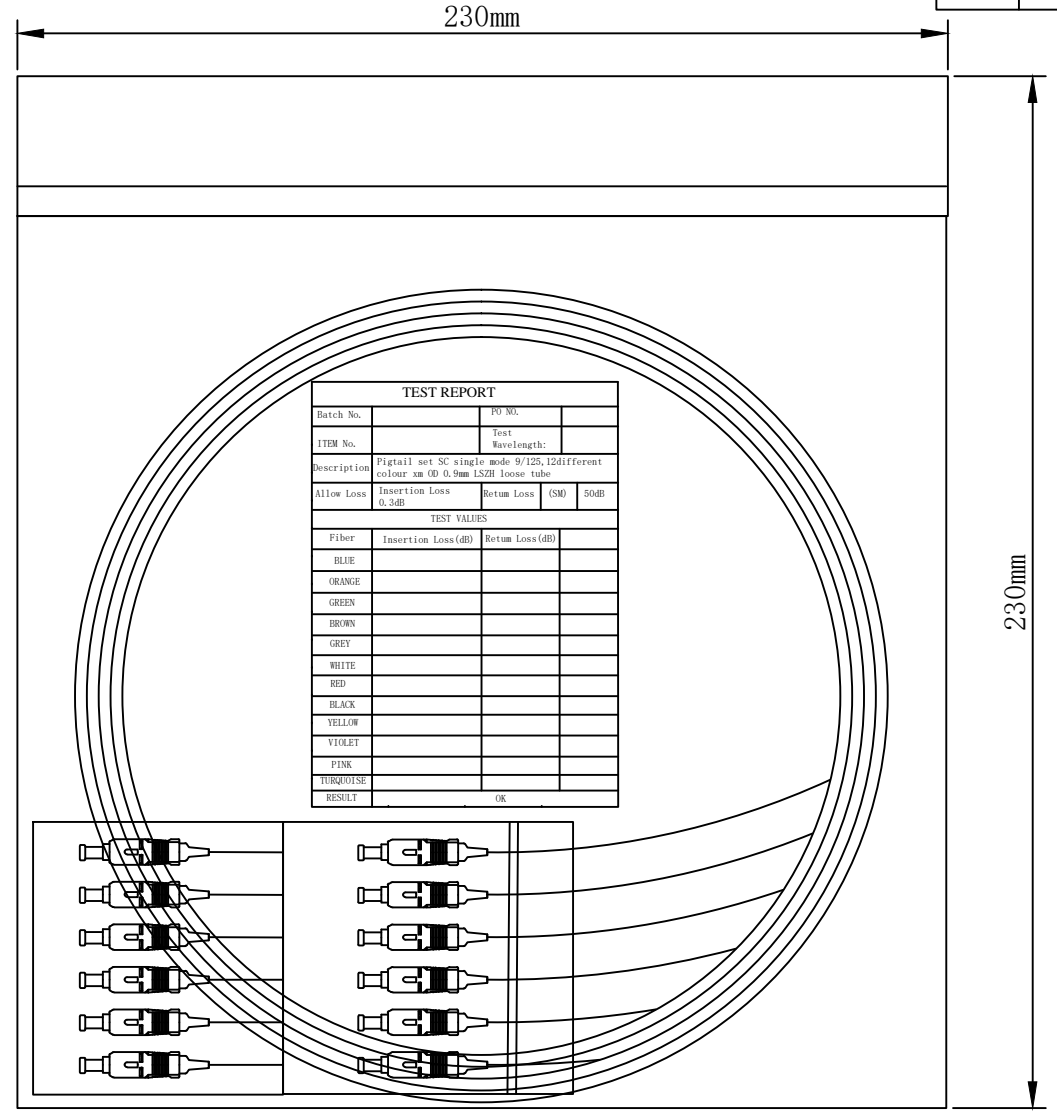


| | | | |
|----|--|-------|--------|
| ⑫ | SC Transparent Dust Cap | 12 | |
| ⑮ | SC/APC 8° SM Ferrule 125-126um | 12 | |
| ⑭ | SC APC 0.9 Green Connector | 12 | |
| ⑬ | SC 0.9 Green Boot | 12 | |
| ⑫ | Fiber Cable LOOSE TUBE SM 9/125 0.9mm TURQUOISE LSZH | Xm | |
| ⑪ | Fiber Cable LOOSE TUBE SM 9/125 0.9mm PINK LSZH | Xm | |
| ⑩ | Fiber Cable LOOSE TUBE SM 9/125 0.9mm VIOLET LSZH | Xm | |
| ⑨ | Fiber Cable LOOSE TUBE SM 9/125 0.9mm YELLOW LSZH | Xm | |
| ⑧ | Fiber Cable LOOSE TUBE SM 9/125 0.9mm BLACK LSZH | Xm | |
| ⑦ | Fiber Cable LOOSE TUBE SM 9/125 0.9mm RED LSZH | Xm | |
| ⑥ | Fiber Cable LOOSE TUBE SM 9/125/125 0.9mm WHITE LSZH | Xm | |
| ⑤ | Fiber Cable LOOSE TUBE SM 9/125 0.9mm GREY LSZH | Xm | |
| ④ | Fiber Cable LOOSE TUBE SM 9/125 0.9mm BROWN LSZH | Xm | |
| ③ | Fiber Cable LOOSE TUBE SM 9/125 0.9mm GREEN LSZH | Xm | |
| ② | Fiber Cable LOOSE TUBESM 9/125 0.9mm ORANGE LSZH | Xm | |
| ① | Fiber Cable LOOSE TUBE SM 9/125 0.9mm BLUE LSZH | Xm | |
| NO | SPECIFICATION STANDARD | QT' Y | REMARK |

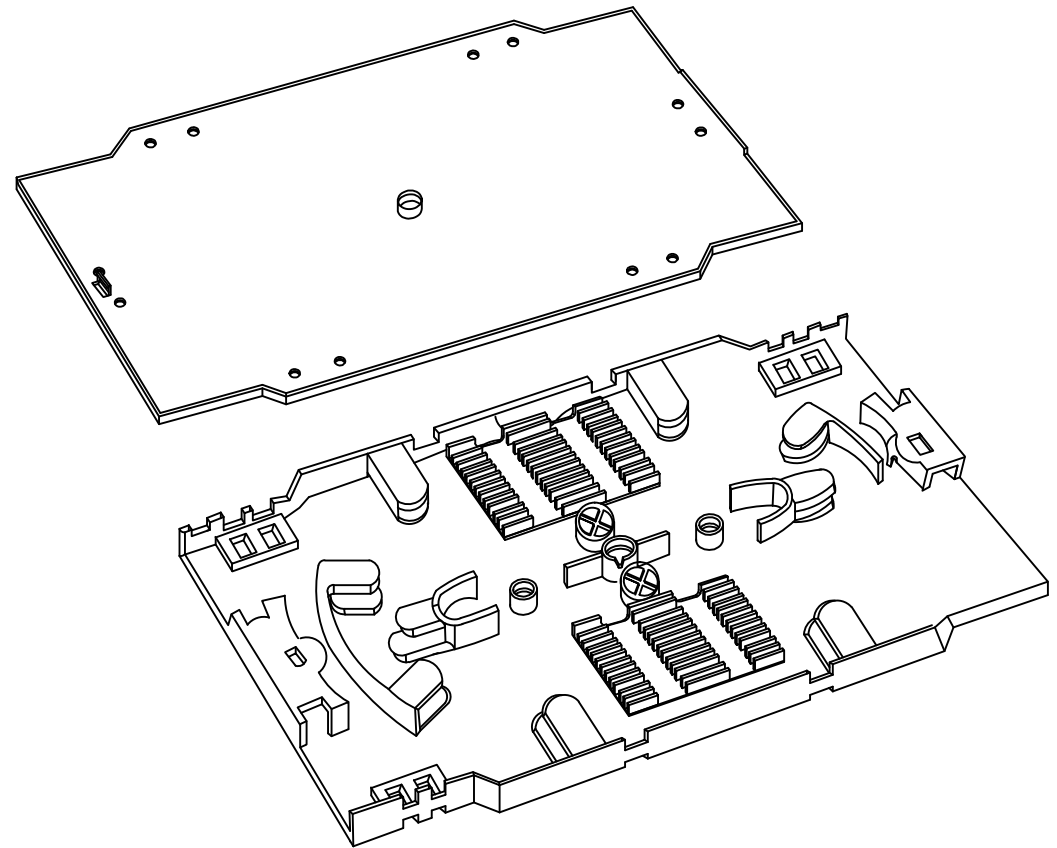
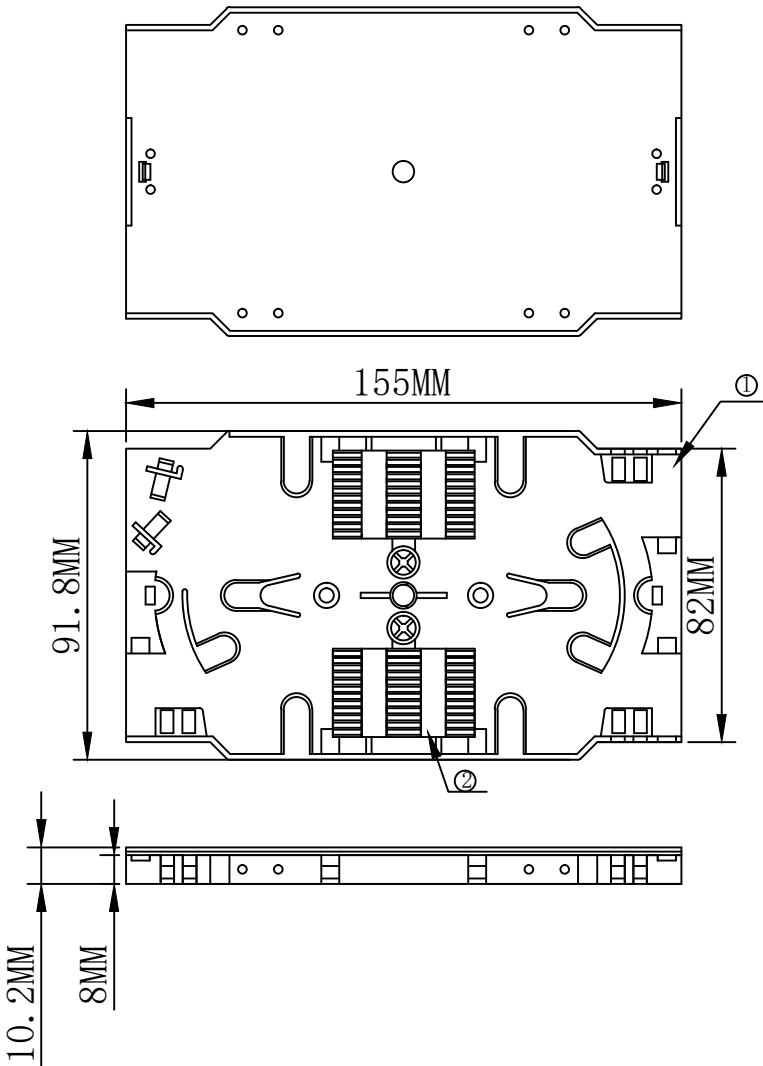
| | |
|-----------------|-------------|
| Type | Single-Mode |
| Insertion Loss | <=0.3dB |
| Return Loss | >=60dB |
| Test Wavelength | 1310nm |

| | | | | | | | |
|-------------------------------|--|--------------|------------|----------|----|---------|------------|
| | | 2Direct Gmbh | | ITEM NO. | | | |
| PRODUCT NAME | Pigtailset SC/APC 9/125 μm 12 different coulors | ITEM NO. | 1 | UNIT | MM | | |
| BY | CHK | DATE | 2016.08.25 | REV. | A | DRAWNBY | CHECKBY |
| REVISION RECORD MODIFICATIONS | | DATE | | REV. | | APPOBY | DATE |
| | | | | | | | 2016.08.25 |

| TEST REPORT | | | | |
|-------------|---|------------------|-------|------|
| Batch No. | | PO NO. | | |
| ITEM No. | | Test Wavelength: | | |
| Description | Pigtail set SC APC 9/125, 12 different colour xm OD 0.9mm LSZH loose tube | | | |
| Allow Loss | Insertion Loss 0.3dB | Return Loss | (APC) | 60dB |
| TEST VALUES | | | | |
| Fiber | Insertion Loss (dB) | Return Loss (dB) | | |
| BLUE | | | | |
| ORANGE | | | | |
| GREEN | | | | |
| BROWN | | | | |
| GREY | | | | |
| WHITE | | | | |
| RED | | | | |
| BLACK | | | | |
| YELLOW | | | | |
| VIOLET | | | | |
| PINK | | | | |
| TURQUOISE | | | | |
| RESULT | OK | | | |



| | | | | | | | |
|--------------|-----|--|--|----------|---------|---------|--------------|
| | | 2Direct Gmbh | | ITEM NO. | | | |
| PRODUCT NAME | | Pigtailset SC/APC 9/125 μm 12 different coulors | | ITEM NO. | | UNIT MM | |
| NEW | | 2016. 08. 25 | | A | | DATE | |
| BY | CHK | REVISION RECORD MODIFICATIONS | | DRAWNBY | CHECKBY | APPOBY | 2016. 08. 25 |

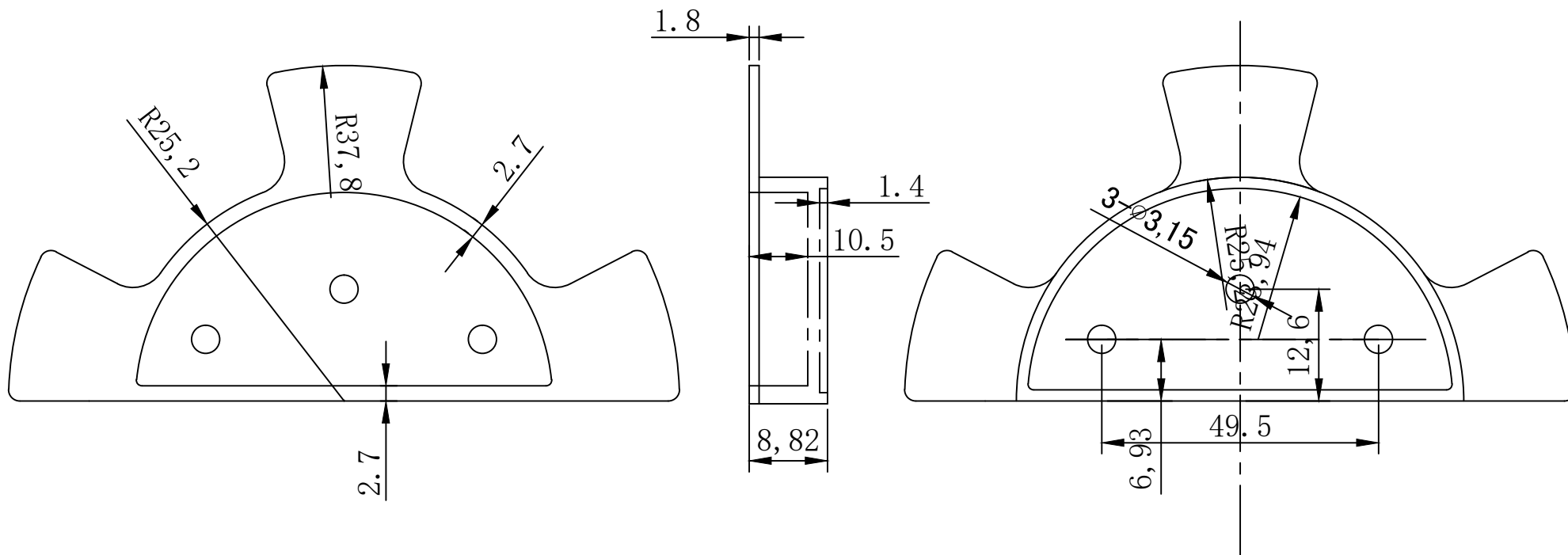


- with 2* 12 core splicing Holder ,black
- Material:Plastic (Non fire retardant)
- Color: beige
- RoHS 2.0 and Reach Compliant

Packing:1pcs/PE bag+label 1,100pcs/innet carton+outer carton+label 3

MATERIAL LIST:

| | | | | | | | | | |
|-----|---------------|----------------------------------|------------|--------|--------------|---|----------|------------|----|
| ② | Splic Holder | ABS/Black | 2 | | | | | | |
| ① | Splicing tray | 24 cores splicing tray,ABS/Beige | 1 | | | | | | |
| NO. | PARTS NAME | SPECIFICATION DESCRIPTION | QT'Y | REMARK | 2Direct Gmbh | | ITEM NO. | FB3001 | |
| | | | | | PRODUCT NAME | Splicing tray with 2pcs of 12core holders | ITEM NO. | UNIT | MM |
| | | NEW | 2016.08.25 | A | DRAWNBY | CHECKBY | APPOBY | DATE | |
| BY | CHK | REVISION RECORD MODIFICATIONS | DATE | REV. | | | | 2016.08.25 | |



Note:

1. COLOUR: ABS/GRAY
2. ROHS2.0 COMPLIANT
3. Accessory: Screw M3*8, Hex Nut M3*2.4

| | | | | | | | | | |
|---|-----|--|--------------|------|----------|---------|--------|--------------|----|
| LogiLink Professional F24SS2/3/4 | | | | | | | | | |
| 2Direct Gmbh | | | | | ITEM NO. | | | | |
| PRODUCT NAME | | Fibre cable management Spool - Grey | | | ITEM NO. | | | UNIT | MM |
| | | NEW | 2016. 08. 25 | A | DRAWNBY | CHECKBY | APPOBY | DATE | |
| BY | CHK | REVISION RECORD MODIFICATIONS | DATE | REV. | | | | 2016. 08. 25 | |