



## Cat.5e RJ45 Plug Connector, shielded, with insert

Part no.: MP0004

### Technical Features

CAT5e modular plug

Suitable for 8P8C round cables

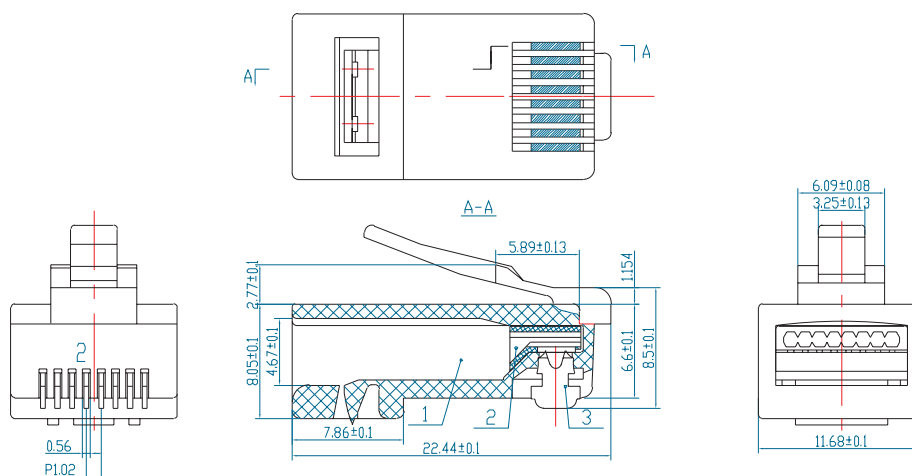
Shielded plug

Gold-plated contacts

Incl. threading relief

Packaging unit: 100 pieces

### Technical Drawings



MP0004



4 052792 003840

Made in China

www.logilink.com



RoHS  
compliant



\* The specifications and pictures are subject to change without notice.  
\*All trade names referenced are the registered trademark of their respective owners.

## Package Contents

100pc x Cat.5e RJ45 plug connector

## Packaging Informations

Packing Dimension	180 x 220mm
Packing Weight	0.24kg
Carton Dimension	360 x 310 x 260mm
Carton Q'ty	50pc
Carton Weight	13kg



MP0004



Made in China



\* The specifications and pictures are subject to change without notice.  
\*All trade names referenced are the registered namework of their respective owners.