

## Cat.5e Keystone Jack

Part no.: NK4006A

### Technical Features

Modular Keystone Jack

Cat.5e Class D 100 MHz

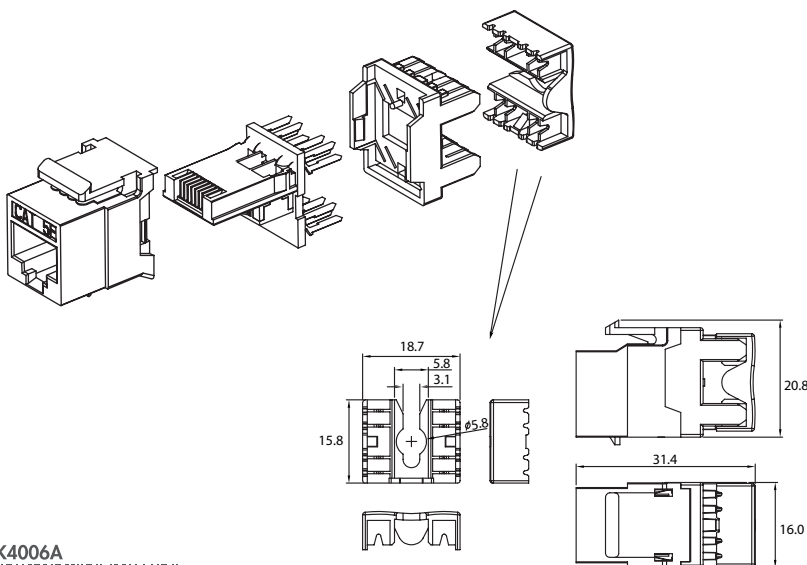
UTP (unshielded version)

180° punch down

AWG 24 – 26, T568A/B

Color: white

### Technical Drawings



### Electrical Specifications

Insulation Resistance: 500M ohms (min.)  
Contact Resistance: 20M ohms (max.)  
Current Rating: 1.5Amps.  
DC Resistance: 0.1 ohms (max.)  
Withstanding Voltage: 1000VAC RMS@60Hz/1 min

### Mechanical Specifications

IDC Punch Down Cycle: Over 25 Cycles(min.)  
RJ-45 Jack Insertion Cycle: Over 200 Cycles(min.)

### Environmental

Storage: -40° to +85°  
Operation: 0° to +70°

NK4006A



4 052792 031874

Made in China

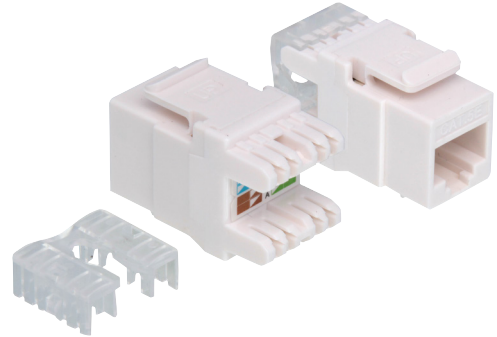
[www.logilink.de](http://www.logilink.de)



RoHS  
compliant



\* The specifications and pictures are subject to change without notice.  
\* All trade names referenced are the registered trademark of their respective owners.



## Cat.5e Keystone Jack

Part no.: NK4006A

### Package Contents

Cat.5e Keystone Jack x 1

### Packaging Informations

Packing Dimension	100 x 70 x 20mm
Packing Weight	0,01kg
Carton Dimension	530 x 320 x 300mm
Carton Q'ty	1000pcs
Carton Weight	9kg

NK4006A



Made in China

[www.logilink.de](http://www.logilink.de)



RoHS  
compliant



\* The specifications and pictures are subject to change without notice.  
\*All trade names referenced are the registered namework of their respective owners.