

Wall Face Plate for 2 Keystone Modules



Technical Features

Suitable for Keystone Jacks & Coupler

2 ports, 45° angled

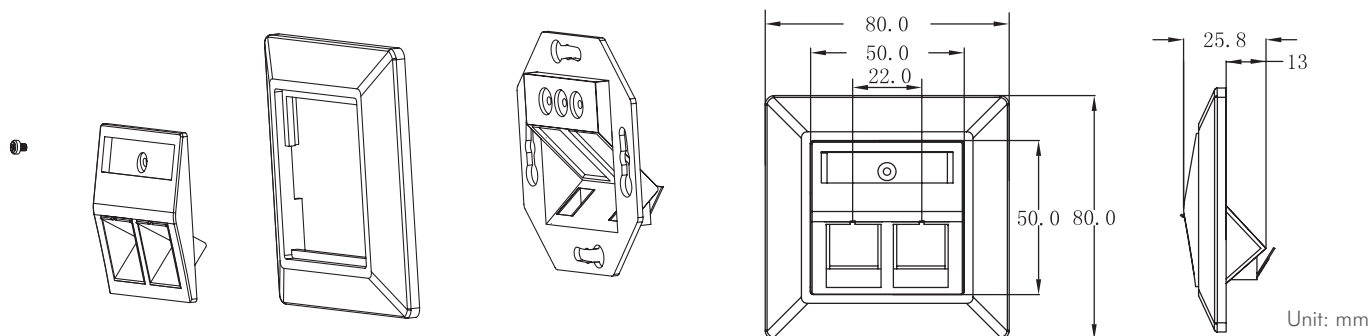
80 x 80 mm outer frame

50 x 50 mm inner plate with shutter

With mounting frame (metal)

Part no.	Color	EAN Code
NK4020	RAL9003 Signal White	4052792032062
NK4021	RAL9010 Pure White	4052792026887

Technical Drawings



www.logilink.com



RoHS
compliant





NK4020



NK4021



Package Contents

Wall Face Plate for 2 Keystone Modules x 1

Packaging Informations

Packing Dimension	80 x 80mm
Packing Weight	0.02kg
Carton Dimension	530 x 320 x 230mm
Carton Q'ty	120pcs
Carton Weight	11kg



www.logilink.com



RoHS
compliant



Made in China

* The specifications and pictures are subject to change without notice.
*All trade names referenced are the registered trademark of their respective owners.