

CAT6A Patch Panel 8-Port, Shielded

Technical Features

CAT6A 8-Port Patch Panel, Desktop

CAT6A Class EA 10G 500MHz

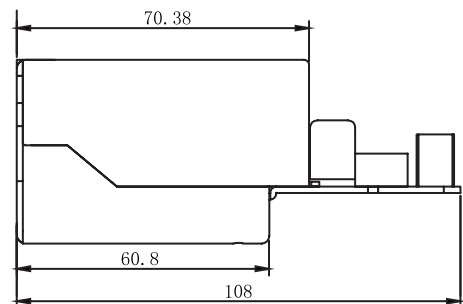
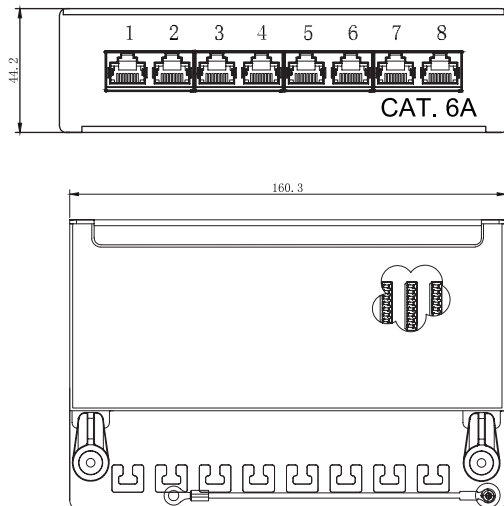
Shielded RJ45 with gold flash contact

Metal Chassis

Part no.	Ports	Color	EAN Code
NP0018	8Ports	RAL7035 Light Grey	4052792027747
NP0018B	8Ports	RAL9005 Black	4052792038897



Technical Drawings



Made in China

www.logilink.de



RoHS
compliant



* The specifications and pictures are subject to change without notice.
*All trade names referenced are the registered trademark of their respective owners.

Package Contents

CAT6A Patch Panel 8-Port, Shielded x 1

Packaging Informations

Packing Dimension	220 x 137 x 55mm
Packing Weight	0.68kg
Carton Dimension	450 x 290 x 290mm
Carton Q'ty	20pcs
Carton Weight	14.4kg (NP0018), 13.9kg (NP0018B)



Made in China

www.logilink.de



RoHS
compliant



* The specifications and pictures are subject to change without notice.
*All trade names referenced are the registered trademark of their respective owners.