



Cat.6 Wall Outlet with surface box

Part no.: NP0039A

Technical Features

Category 6 Class E 250MHz

IEC 11801 and TIA/EIA 568B.2

2 shielded RJ45 jacks

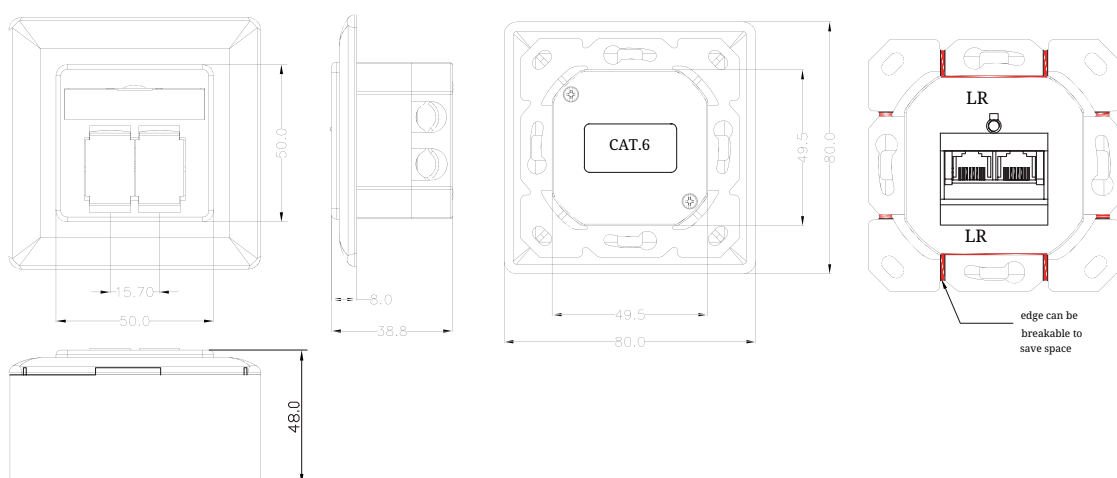
Horizontal cable entry

Fully shielded housing

Flush-mounted type with surface back box

Color white RAL 9003

Technical Drawings



NP0039A



4 052792 032093

Made in China

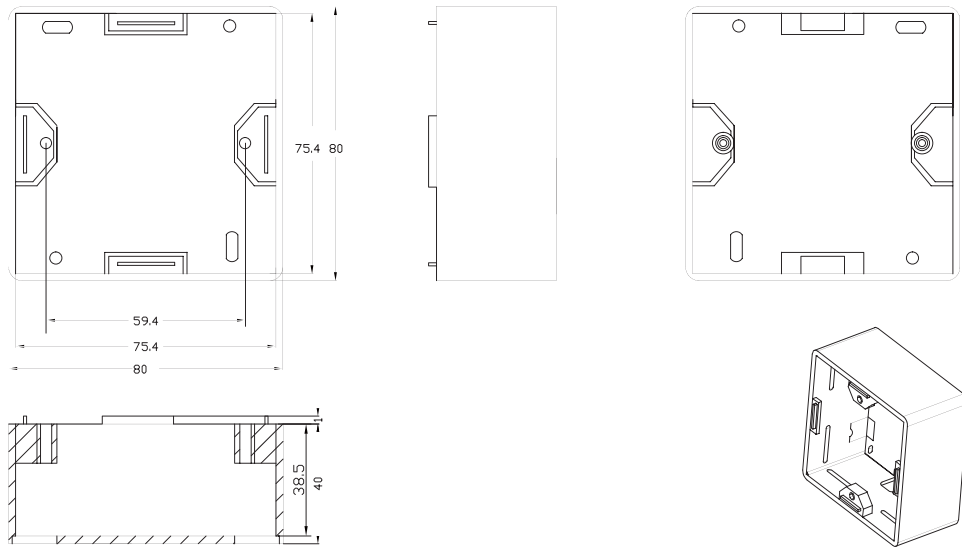
www.logilink.de



RoHS
compliant



* The specifications and pictures are subject to change without notice.
*All trade names referenced are the registered trademark of their respective owners.



Package Contents

Cat.6 Wall Outlet with surface box x 1

Packaging Informations

Packing Dimension	mm
Packing Weight	kg
Carton Dimension	mm
Carton Q'ty	pcs
Carton Weight	kg



NP0039A



4 052792 032093

Made in China

www.logilink.de



RoHS
compliant



* The specifications and pictures are subject to change without notice.
*All trade names referenced are the registered trademark of their respective owners.