

19" Cat.3/Voice/ISDN Patch Panel, grey

Technical Features

Category 3 Voice / ISDN

Label color code T568B

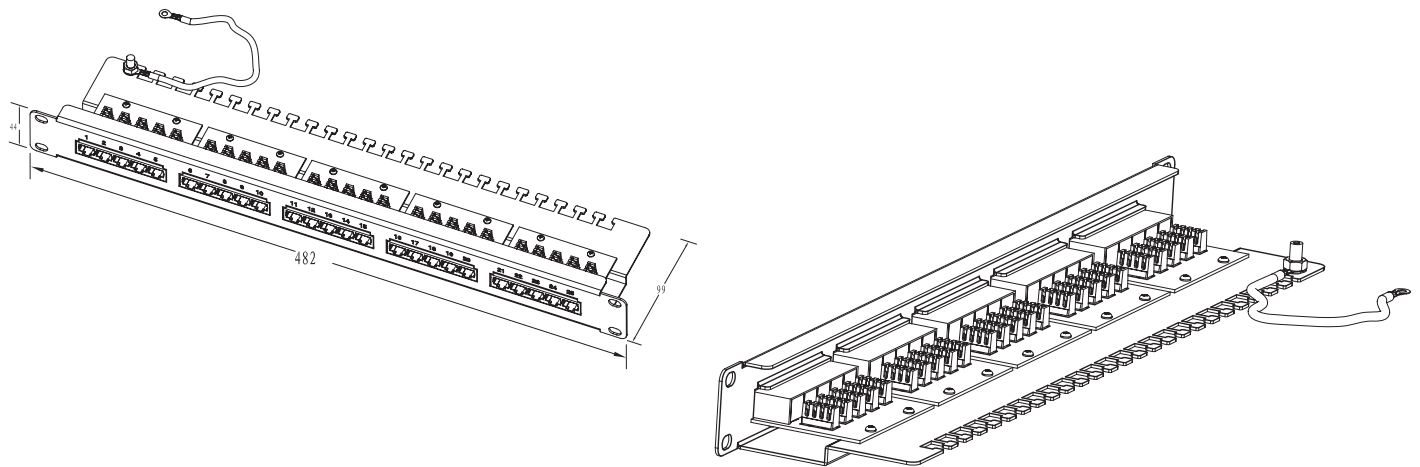
25 or 50 unshielded RJ45 jacks

Steel housing 1U

RAL 7035 light grey

Technical Drawings

NP0050



www.logilink.com



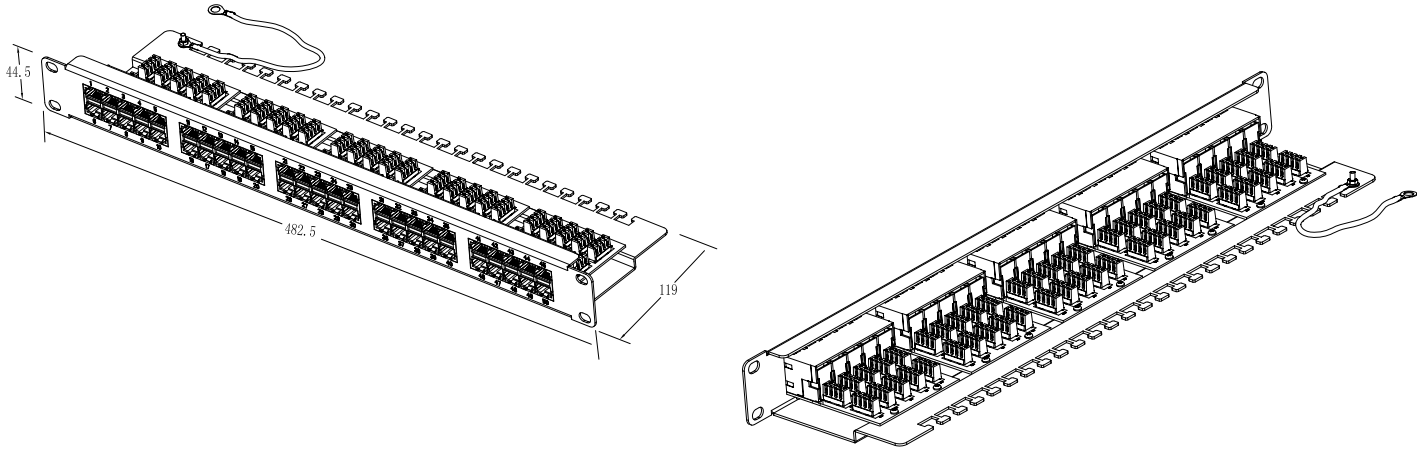
RoHS
compliant



Made in China

* The specifications and pictures are subject to change without notice.
*All trade names referenced are the registered trademark of their respective owners.

NP0051



Part no.	Ports	EAN Code
NP0050	25Ports	4052792027181
NP0051	50Ports	4052792027198

Package Contents

Packaging Informations(NP0050)

Packing Dimension	483 x 100 x 45mm
Packing Weight	1.1kg
Carton Dimension	545 x 280 x 270mm
Carton Q'ty	10pcs
Carton Weight	10.55kg

www.logilink.com



RoHS
compliant



Packaging Informations(NP0051)

Packing Dimension	483 x 100 x 45mm
Packing Weight	1.4kg
Carton Dimension	550 x 405 x 29mm
Carton Q'ty	10pcs
Carton Weight	15.8kg

