

LogiLink®

USB-C Multifunction Power Meter

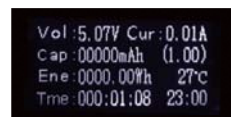
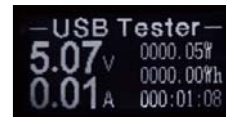
Art. No.: PA0160



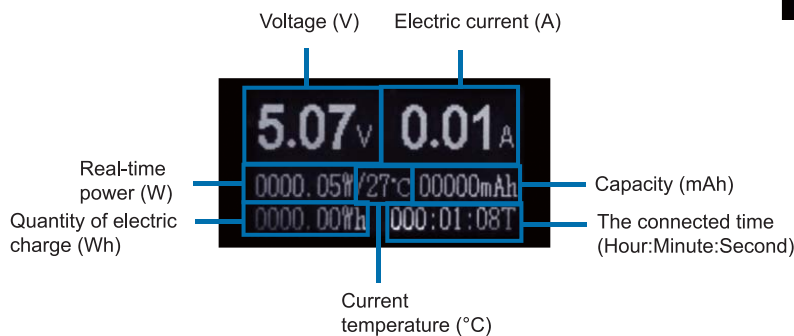
Protect your USB and USB-C devices effectively by real-time monitoring of charge data, and find charging problem of USB cables, wall chargers and car charger with the Power Meter.

Features:

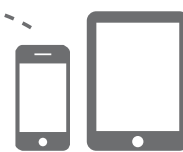
- » Detecting USB charging current, voltage, discharge capacity, quantity of electric charge, power and timing for Android™, Apple® and Qualcomm® 2.0/3.0 (5V/9V/12V), BC 1.2 (Battery Charging) devices
- » Easily for you to find charging problem of USB cables, wall chargers and car charger
- » Built in protective electronic switch element for detecting safety, it will cut off output automatically to protect the appliance from damaging
- » Premium LCD display with low power consumption
- » Wide testing range with a display switch
- » Compact size, easy to carry



4 display interfaces



USB Power



USB Device

Easily to find charging problem of USB cable, wall charger and car charger



PA0160



4 052792 047066

Made in China



RoHS compliant



* The specifications and pictures are subject to change without notice.
* All trade names referenced are the registered trademark of their respective owners.

Best Connectivity

LogiLink®



USB-C Multifunction Power Meter

Art. No.: PA0160

Specification:

Voltage Measuring Range	3.6V~30V (Precision 0.01V)
Current Measuring Range	0~5A (Precision 0.01A)
Quantity of Electric Charge Range	0~999999MWh (Precision 0.001Wh)
Power Metering Range	0~299.999W (Precision 0.001W)
Timing Maximum Time	0~999hours 59min 59s (Accuracy: 1s)
Time to Refresh	>500ms/time
Measurement Rate	0.5 times/s
Working Temperature	-10°C~60°C
Working Humidity	10%~80% RH
Self Current Consumption	<0.015A
The Pressure of Work	80~160kPa
Product Dimension	67 x 62 x 11mm
Product Weight	15g



Package Contents:

- » 1 x USB Digital Power Meter
- » 1 x User Manual

Package Informations:

- » Packing Dimension: 135 x 105 x 25mm
- » Packing Weight: 0.04kg
- » Carton Dimension: 460 x 290 x 250mm
- » Carton Q'ty: 100pcs
- » Carton Weight: 6kg



PA0160



Made in China



RoHS
compliant



* The specifications and pictures are subject to change without notice.
*All trade names referenced are the registered namework of their respective owners.

Best Connectivity