



## Canovate 19" Server Cabinet

Canovate's cost effective server rack cabinet system is developed for independent use as well as for datacenter environments. It is designed to house all servers manufactured by major brands. To achieve optimum versatility within the server rack, users can set multiple depths throughout the cabinet by adjustable 19" mounting rails mounted on heavy duty side supports. The perforations on front and rear doors enable optimum airflow within the rack cabinet.

### Technical Features

<b>Material:</b>	1.2 - 1.5 mm steel
<b>Maximum Static Load:</b>	Up to 1500 kg, depending on model
<b>Finish:</b>	Electrostatic powder paint / Zinc-plated 19" rails
<b>Color:</b>	RAL 7035 light grey or RAL 9005 black

### Standard Configuration

- Perforated front and rear doors with multi-point-espagnolette swing handle
- Solid side panel with cylindrical lock and latches
- Internal top sheet with 3 cable entries and fan cut-outs
- 2 pairs of depth adjustable heavy duty 19" mounting rails
- Internal bottom sheet, 2 pairs of adjustable feet
- Color: RAL 7035 light grey or RAL 9005 black
- UL- and Gost-R certified



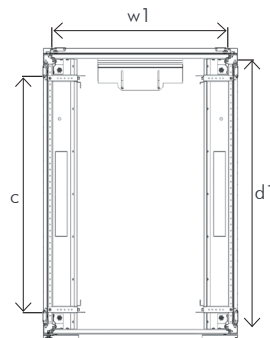
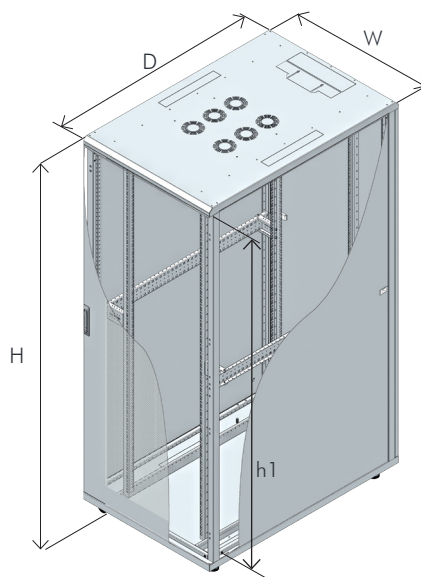
\* The specifications and pictures are subject to change without notice.  
\*All trade names referenced are the registered namework of their respective owners.

## Canovate 19" Server Cabinet - RAL 9005 Black

Height U	Outer Width (W) mm	Outer Depth (D) mm	Outer Height (H) mm	Inner Height (h1) mm	Inner Width (w1) mm	Inner Depth (d1) mm	19" Rails Adjustable Depth Range (c) mm	Weight kg	Part No.	EAN Code
26U	600	1000	1322	1162	503	950	123 - 773	85	S26S61B	8698800000362
26U	600	1200	1322	1162	503	1150	123 - 973	96	S26S63B	8698800000409
26U	800	1000	1322	1162	703	950	123 - 773	97	S26S81B	8698800000447
26U	800	1200	1322	1162	703	1150	123 - 973	97	S26S83B	8698800000485
42U	600	1000	2033	1873	503	950	123 - 773	119	S42S61B	8698800000386
42U	600	1200	2033	1873	503	1150	123 - 973	130	S42S63B	8698800000423
42U	800	1000	2033	1873	703	950	123 - 773	138	S42S81B	8698800000461
42U	800	1200	2033	1873	703	1150	123 - 973	152	S42S83B	8698800000508

## Canovate 19" Server Cabinet - RAL 7035 Light Grey

Height U	Outer Width (W) mm	Outer Depth (D) mm	Outer Height (H) mm	Inner Height (h1) mm	Inner Width (w1) mm	Inner Depth (d1) mm	19" Rails Adjustable Depth Range (c) mm	Weight kg	Part No.	EAN Code
26U	600	1000	1322	1162	503	950	123 - 773	85	S26S61G	8698800000355
26U	600	1200	1322	1162	503	1150	123 - 973	96	S26S63G	8698800000393
26U	800	1000	1322	1162	703	950	123 - 773	97	S26S81G	8698800000430
26U	800	1200	1322	1162	703	1150	123 - 973	97	S26S83G	8698800000478
42U	600	1000	2033	1873	503	950	123 - 773	119	S42S61G	8698800000379
42U	600	1200	2033	1873	503	1150	123 - 973	130	S42S63G	8698800000416
42U	800	1000	2033	1873	703	950	123 - 773	138	S42S81G	8698800000454
42U	800	1200	2033	1873	703	1150	123 - 973	152	S42S83G	8698800000492



\* The specifications and pictures are subject to change without notice.  
 \*All trade names referenced are the registered trademark of their respective owners.