

19" Einschubfach 19" Cantilever Shelf

Technical Features

Material: 1.5mm Steel

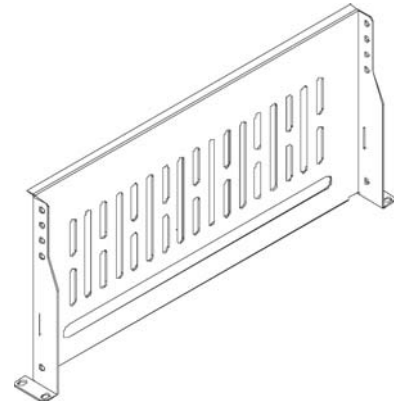
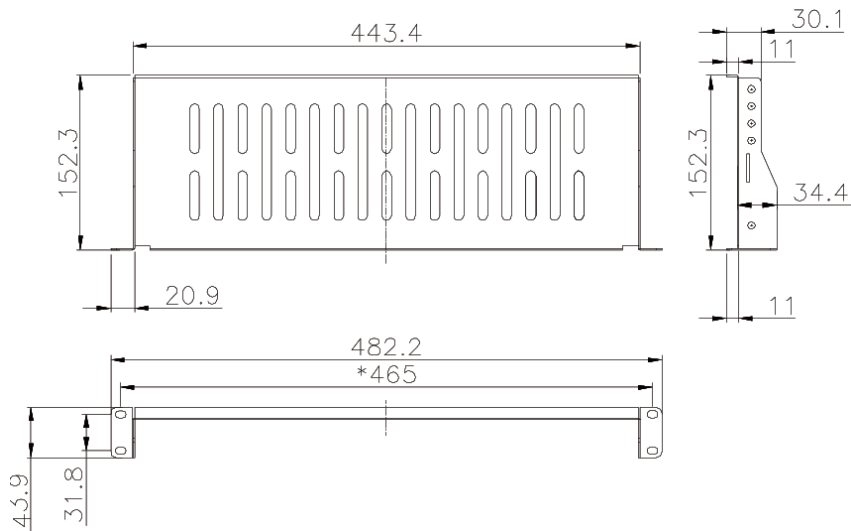
Maximum Static Load: 5kg

Finish: Electrostatic Powder Paint

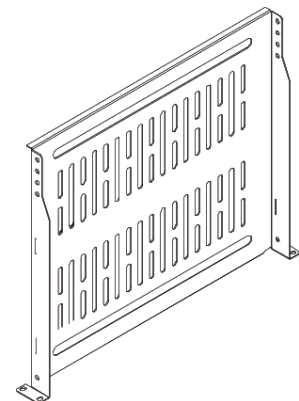
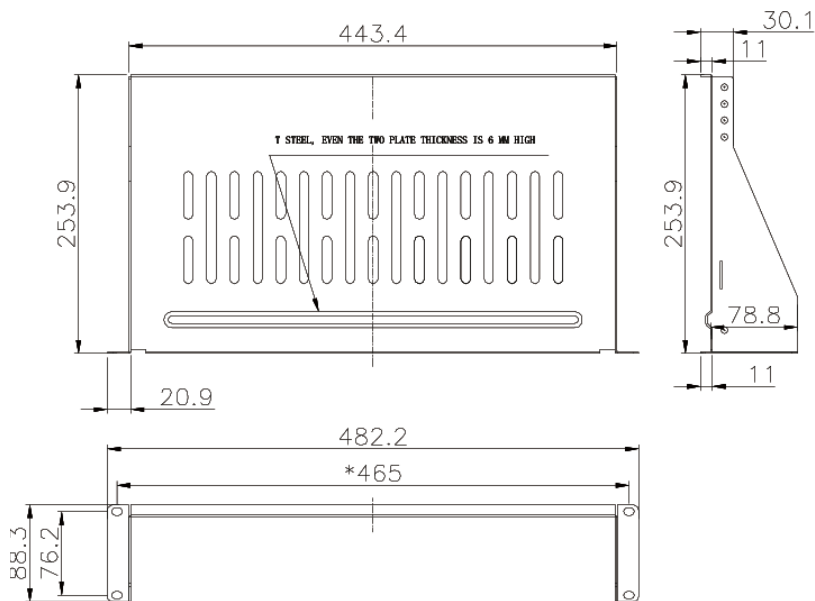
Part No.	Height U	Depth (D) mm	Width (W) mm	Inner (W) mm	Weight kg	Color	EAN Code
SF1C25B	1U	150	483	437	0.84	RAL9005 Black	4052792026504
SF1C25G	1U	150	483	437	0.84	RAL703 Light Grey	4052792026511
SF2C35B	2U	250	483	437	1.58	RAL9005 Black	4052792026528
SF2C35G	2U	250	483	437	1.58	RAL703 Light Grey	4052792026535
SF2C45B	2U	400	483	437	2.43	RAL9005 Black	4052792026542
SF2C45G	2U	400	483	437	2.43	RAL703 Light Grey	4052792026559

Technical Drawings

SF1C25B/SF1C25G



SF2C35B/SF2C35G



Package Contents

1 x 19" Cantilever Shelf

Packaging Informations

Packing Dimension	530 x 80 x 170mm (SF1C25G, SF1C25B) 530 x 130 x 270mm (SF2C35G, SF2C35B) 530 x 130 x 430mm (SF2C45G, SF2C45B)
Packing Weight	0.9kg (SF1C25G, SF1C25B) 1.3kg (SF2C35G, SF2C35B) 2.9kg (SF2C35G, SF2C35B)
Carton Dimension	460 x 545 x 190mm (SF1C25G, SF1C25B) 680 x 545 x 295mm (SF2C35G) 690 x 550 x 305mm (SF2C35B) 680 x 545 x 445mm (SF2C45G, SF2C45B)
Carton Q'ty	5pcs
Carton Weight	4.65kg (SF1C25G, SF1C25B) 6.56kg (SF2C35G, SF2C35B) 14.67kg (SF2C45G, SF2C45B)

