



## USB Plug, Solder Type Set with 4 parts including boot

### Technical Features

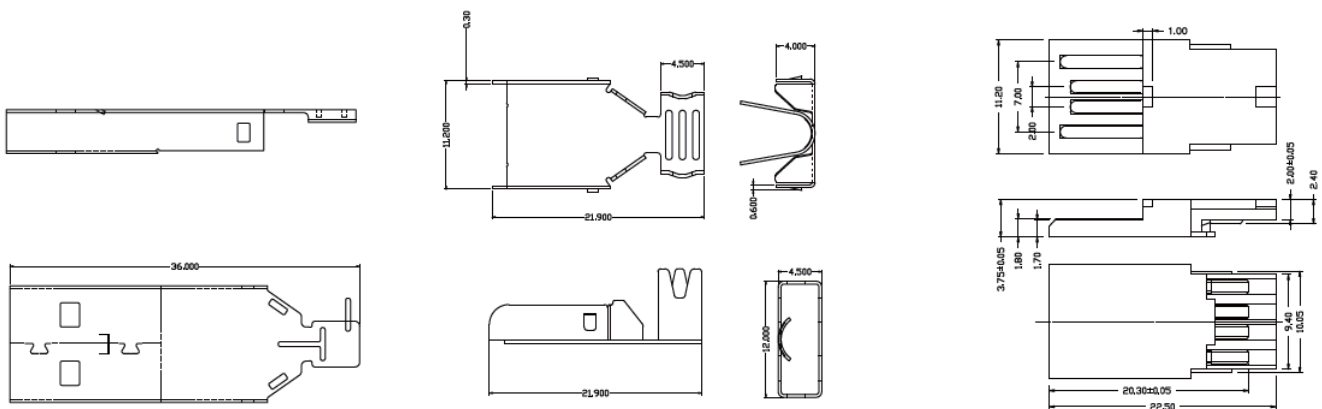
USB plug solder type

With grey boot

Part-No	USB Type	EAN Code
UP0001	USB-A	4052792038088
UP0002	USB-B	4052792038095

### Technical Drawings

UP0001



[www.logilink.de](http://www.logilink.de)



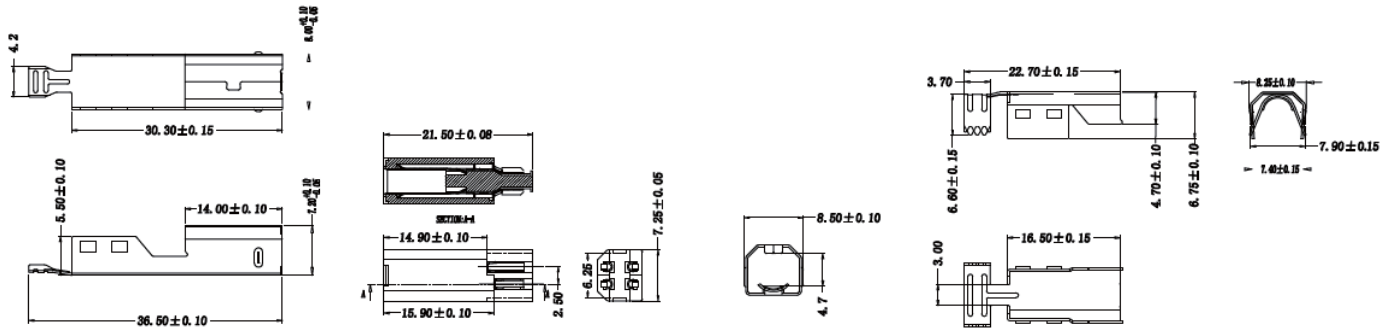
RoHS  
compliant



Made in China

\* The specifications and pictures are subject to change without notice.  
\*All trade names referenced are the registered trademark of their respective owners.

UP0002



## Package Contents

1 x USB connector set

## Packaging Informations

Packing Dimension	55 x 83mm
Packing Weight	0,005kg
Carton Dimension	380 x 280 x 200mm
Carton Q'ty	500pcs
Carton Weight	4kg

[www.logilink.de](http://www.logilink.de)



RoHS  
compliant



Made in China

\* The specifications and pictures are subject to change without notice.  
\*All trade names referenced are the registered trademark of their respective owners.