



## 10" SOHO Cabinet, assembled

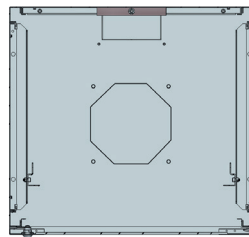
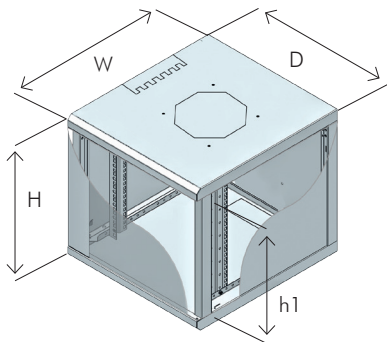
Canovate's 10 inch wall-mount enclosure for home office or small business is a cost effective, neat solution storing the 10" rack-mount cabling and network equipment such as patch panels, switches and other installation material. The racks are ideal for installing small network at home or in small office.

### Technical Features

Material:	1.2 mm steel
Maximum Static Load:	Up to 50 kg
Finish:	Electrostatic powder paint
Color:	RAL 7035 Light Grey or RAL 9005 Black

### Standard Configuration

- Steel Frame
- Glass door with cylindrical lock
- Openable side panels
- 1 Pair of heavy duty 10" mounting rails
- RoHS compliant, UL and Gost-R certified



## 10" SOHO Cabinet, assembled

Height	Outer Width (W) mm	Outer Depth (D) mm	Outer Height (H) mm	Inner Height (h1) mm	Weight kg	Color	Part No.	EAN Code
6U	316	310	350	177	17	RAL 7035 Light Grey	W66Z33G	8698800002113
6U	316	310	350	177	17	RAL 9005 Black	W66Z33B	8698800002106



\* The specifications and pictures are subject to change without notice.  
 \*All trade names referenced are the registered network of their respective owners.