



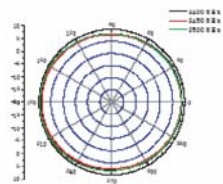
Art No. WL0094

2.4GHz Outdoor Omni-directional Antenna, 10dBi

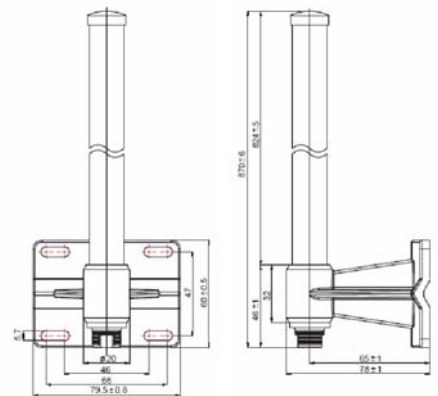
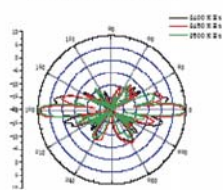
Specification:

Frequency range	2400-2500 MHz
Gain	10 dBi
VSWR	2.0: 1 Max.
Polarization	Linear, vertical
Impedance	50 Ω
HPBW / horizontal	360°
HPBW / vertical	10°
Downtilt	0°
Power handling	10W (cw)
Connector	N Female
Survival wind speed	216 km/hr
Temperature	-40°C to +80°C
Humidity	95% @25°C
Lightning protection	DC ground
Mounting Kit	Wall mount & Window mount
Radome color	Gray-White
Radome material	Fiber glass
Weight	350g
Dimensions	Ø19x870 mm

H-plane Co-polarization Pattern



V-plane Co-polarization Pattern



Packaging Information:

- Packing Dimension: 85 x 980 x 85mm
- Packing Weight: 2.66kg
- Carton Dimension: 1010 x 365 x 290mm
- Carton Q'ty: 4pcs
- Carton Weight: 12.18kg

* The specifications and pictures are subject to change without notice.
*All trade names referenced are the registered network of their respective owners.

