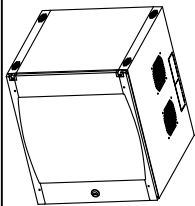


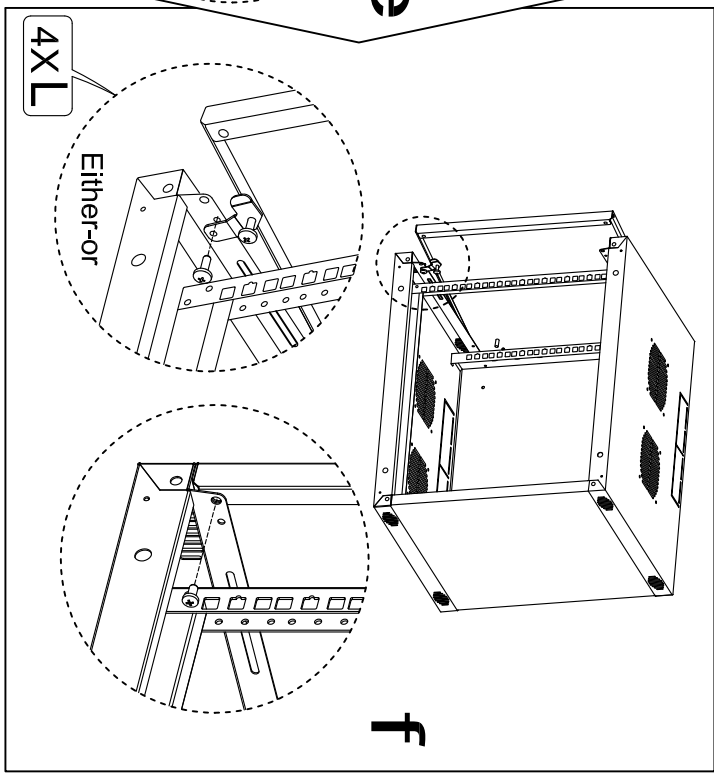
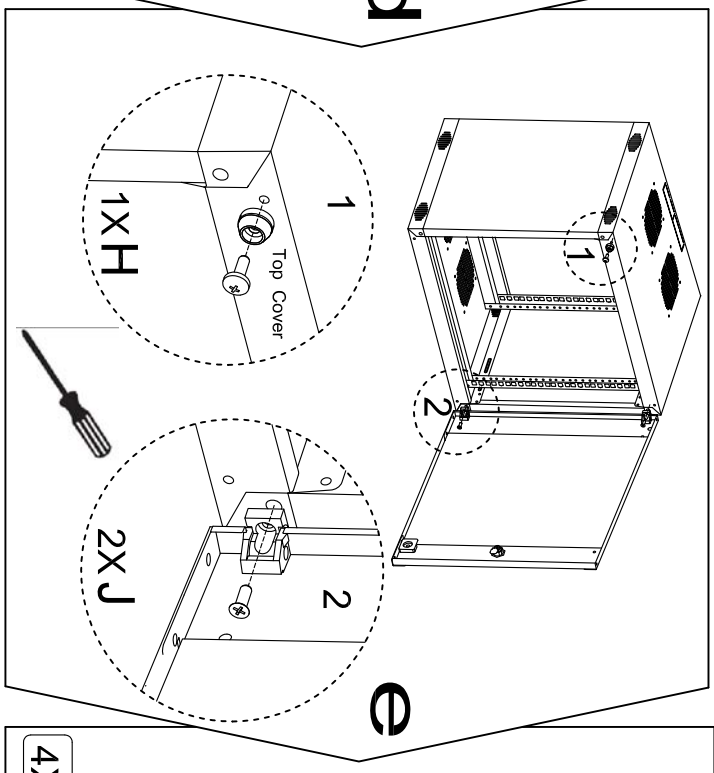
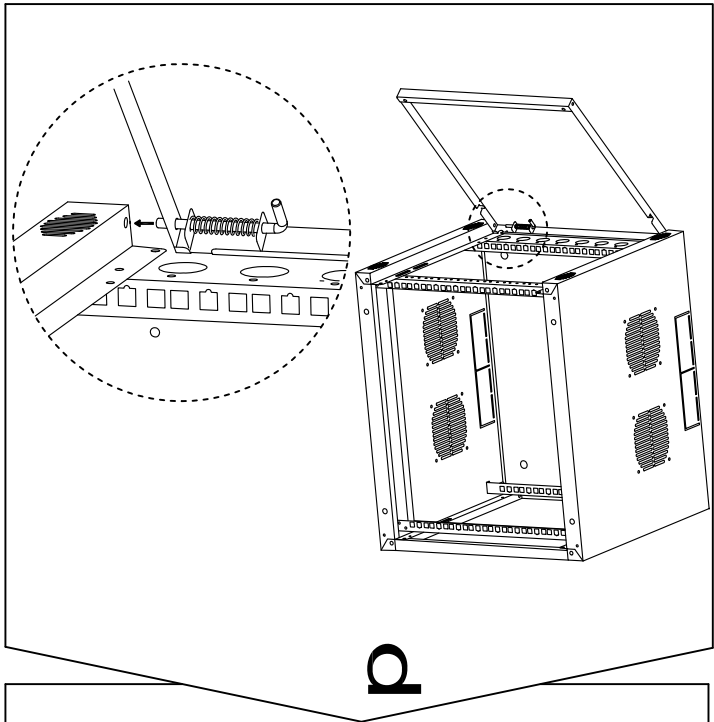
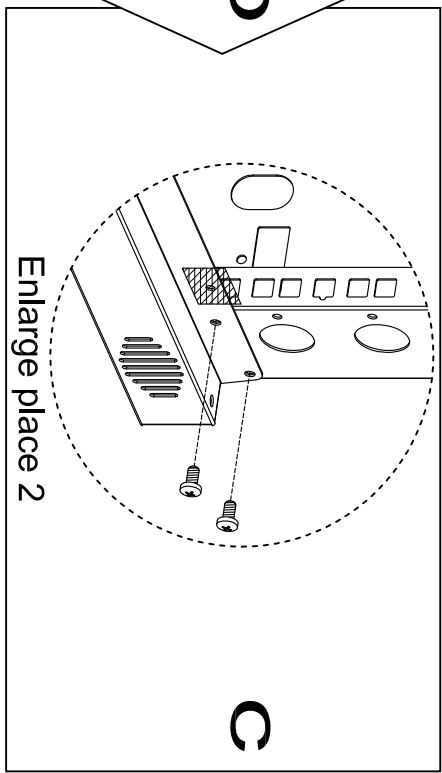
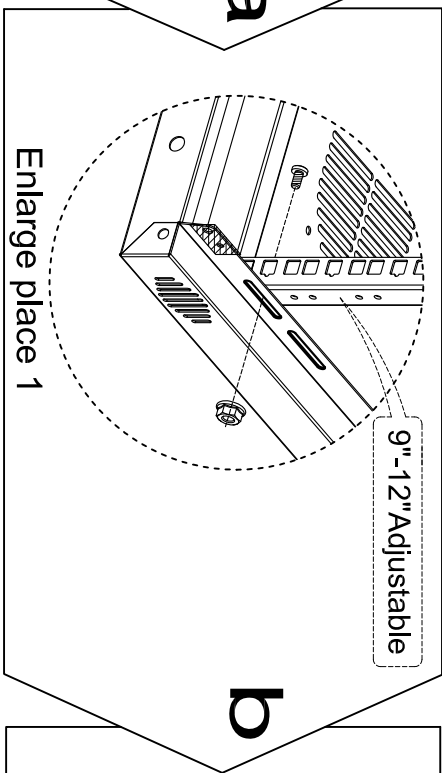
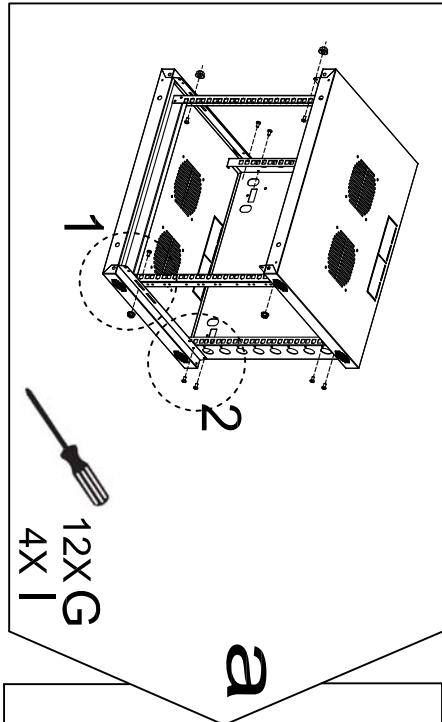
Wall Box INSTALLATION MANUAL

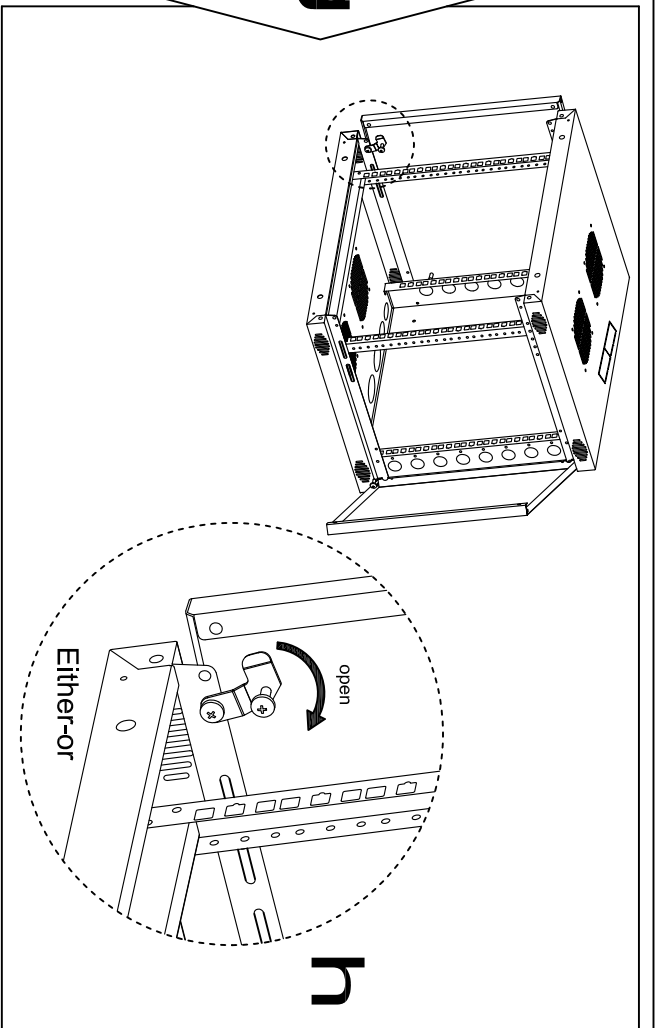
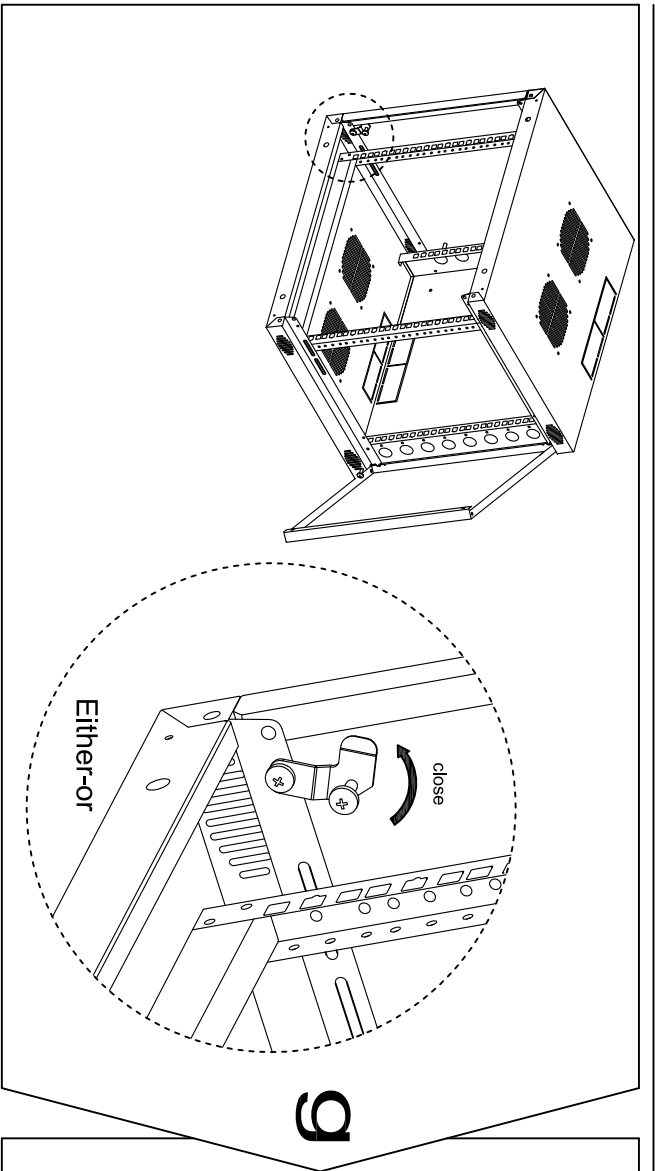
Package Contents



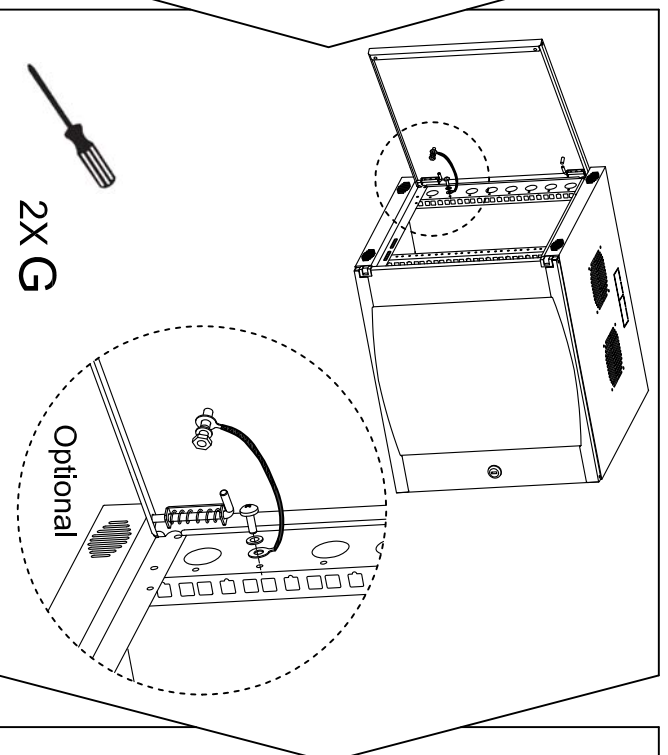
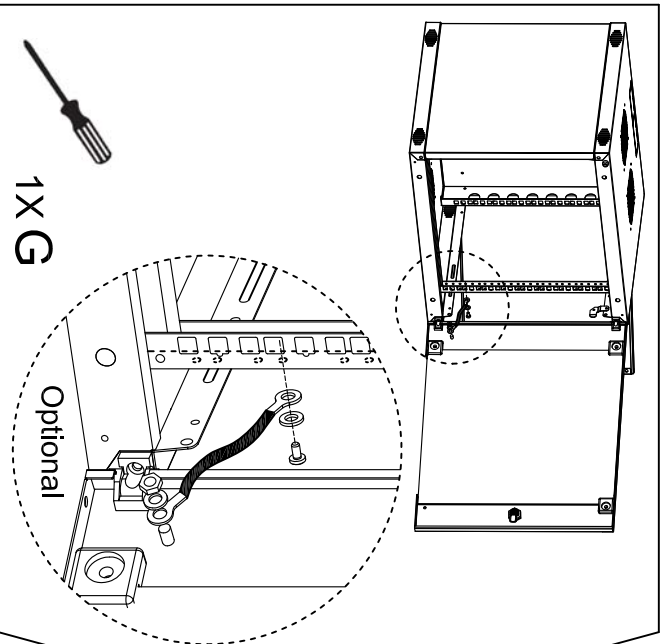
Item list of accessories package

	E 1X Usage Instruction		F 10X MSx2mm, new f. rate (20pcs for over 12U)		G 15x MSx10mm screw		H 1X Guide piece 1x MSx10mm screw		I 4X M5 nut		J 2X MSx14mm screw		K 2X Key		L 4X Baffle		M 1X Label
--	-------------------------------------	--	--	--	----------------------------------	--	---	--	--------------------------	--	---------------------------------	--	-----------------------	--	--------------------------	--	-------------------------





Earthing installation



LogiLink®